

CANADA

EcoDesign

PANADERO



MEASURES

DIMENSIONS	2067-2835 x 700 x 500
ADJUSTABLE HEIGHT	mm
GROSS/NET WEIGHT	131/119 kg
FIREWOOD ENTRANCE	460x295 mm
SMOKE FLUE	Ø 150-153 mm
	Vertical

CHARACTERISTICS

CAST IRON GRILL	
STEEL BODY	5 mm
NOMINAL HEAT OUTPUT	>8 KW
EFFICIENCY	>77 %
CO EMISSIONS	0,10 %
HEAT RESISTANT PAINT	800°C
CERAMIC GLASS HEAT RESISTANCE	750°C

PRODUCT PLUS

ECODESIGN



VERMICULITE LINING



WOOD LOG STORAGE



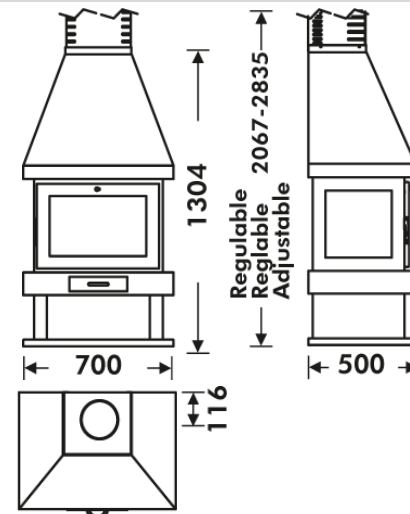
WOOD LOGS 50 CM



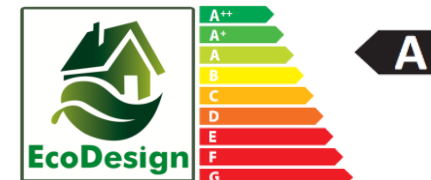
HEATING VOLUME



CLEAN GLASS SYSTEM



EAN 8426964188103
REF. PANADERO 18810



TÜVRheinland
CERT
ISO 9001



flamme
VERTE

Le label
du chauffage
au bois

7 ★

