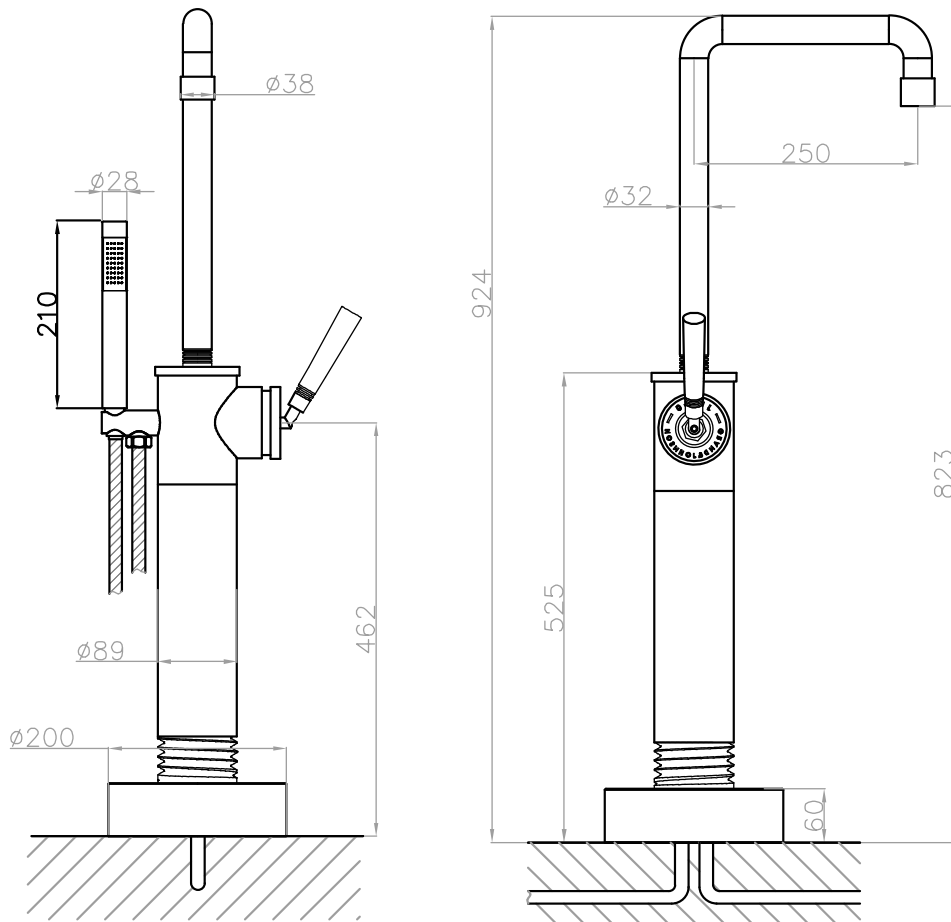


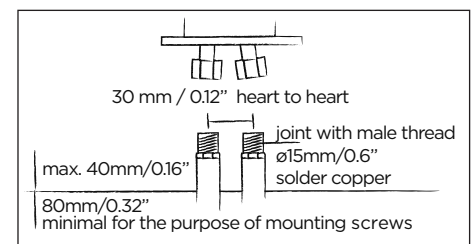
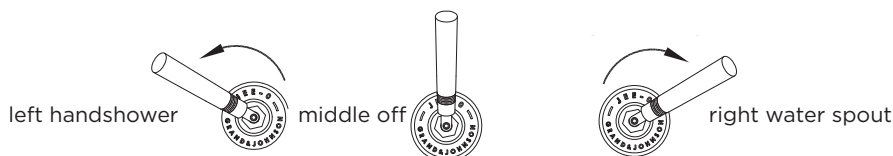


JEE-O soho bath specifications

JEE-O by DADO



Note:
UV radiation and extreme temperature can affect the color and structure of the JEE-O soho bath surface.



Article code:	700-3112	Dimension package:	L 103 x W 59 x H 22 cm
Material:	Stainless Steel r304	Total weight:	11.2 kg / 24.3 lbs
Coating:	hammercoat black (1.5) Electro powder spray	Package weight:	2.6 kg / 4.4 lbs
Cartridge:	Kerox ceramic mixing mechanism (progressive), item code 005-0203	Placing on a water-tight floor	
Cleaning:	cleaning vinegar or alcohol	2 year warranty	
Connection:	2 x G 1/2" ($\phi 15\text{mm} / 0.6''$) nylon ^(out) /epdm ⁽ⁱⁿ⁾ flexhose with brass swivel	HS code: 84818011900	
Flexhose:	150 cm length		
Flow at water of 38°C / 100,4°F:	11l / 2,9gal p/m at 3bar presure		

