

# F-820-S EcoDesign

# PANADERO



## MEASURES

DIMENSIONS H x W x D	625x770x485 mm
GROSS/NET WEIGHT	96/86 kg
FIREWOOD ENTRANCE	600x300 mm
SMOKE FLUE	Ø 150-153 mm Top

## CHARACTERISTICS

CAST IRON GRILL	
PANORAMIC VISION	
NOMINAL HEAT OUTPUT	7 KW
EFFICIENCY	81 %
CO EMISSIONS	0,10%
HEAT RESISTANT PAINT	800°C
CERAMIC GLASS HEAT RESISTANCE	750°C

EAN 8426964190809  
REF. PANADERO 19080

## PRODUCT PLUS

### ECODESIGN 2022



EXTERNAL AIR INTAKE



VERMICULITE LINING



PRINTED GLASS



WOOD LOGS 60 CM



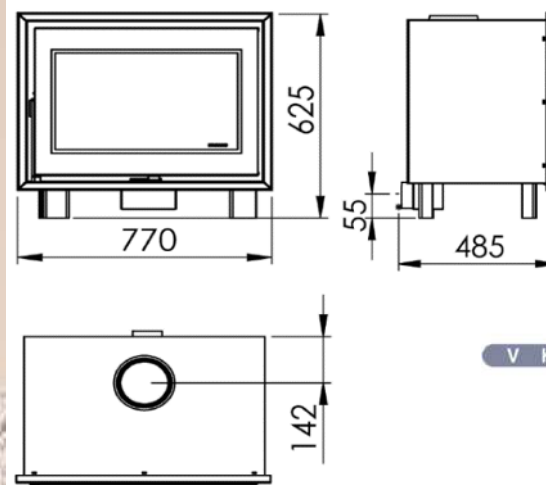
HEATING VOLUME



CLEAN GLASS SYSTEM



TRIPLE COMBUSTION



A+



BlmSchV2



flamme VERTE

Le label du chauffage au bois

7 ★



F-820-S