

# MONTERINGSANVISNING

## ASSEMBLY INSTRUCTIONS

---

### BALI MATBORD 80\*80

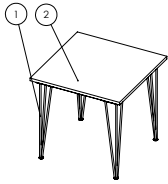
18015



# Assembly instructions | Monteringsanvisning

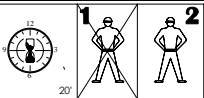


## ASSEMBLING INSTRUCTION



Type : **BALI DINING TABLE-8080**  
Art.No : **18015-679**

TIME	LABOUR	TOOLS



BALI DINING TABLE-8080		
PARTLIST		
No.	Description	Qty
1	BALI DINING TABLE-8080-LEGS	4
2	TOP TABLE	1

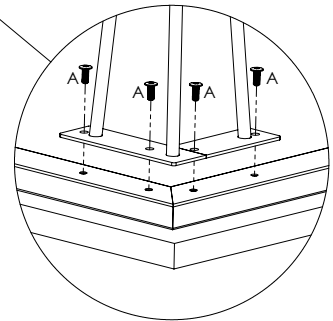
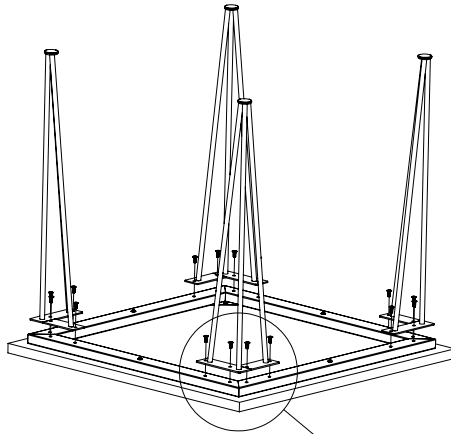
BALI DINING TABLE-8080		
SP SCREW SET		
No.	Description	Qty
A	JCBSC-M6 x 15 mm	16
B	M4 ALLEN KEY	1

BALI DINING TABLE-8080		
SP PLASTIC FEET		
No.	Description	Qty
C	SILICON RUBBER BUMPER Ø20	4



### ILLUSTRATION

A		B		C		D	
E		F		G		H	



SHEET 1 OF 1

2020

**VENTURE DESIGN**  
HOME & INTERIOR