

Installation instructions

Installationsmanual | Installasjonsmanual | Manuel installation | Asennusohje

658807

DIMENSIONS: (LxPxH) 65x40x190cm

WEIGHT: 27,5 kg

CAPACITY: 1,5 L

FUEL: Ethanol 95%

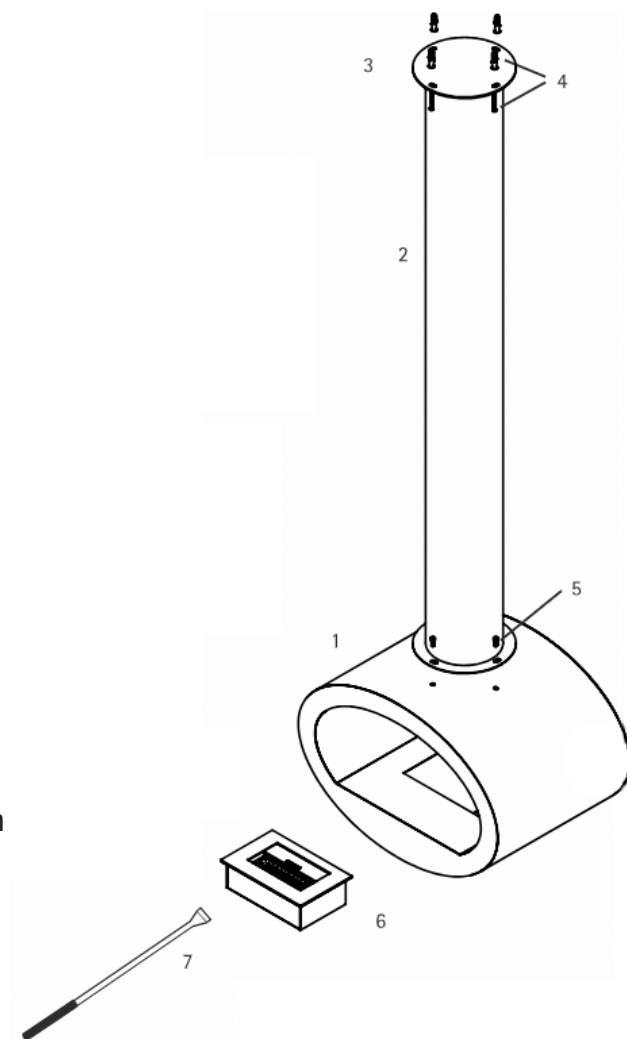
MAX. BURNING TIME: 3,5 h

MIN. ROOM VOLUME: 45 m³

Approx. Heating Output: 2 kW

DISTANCE to flammable materials: Top 60cm, Sides 50cm, Front 100cm

CONTENT: Brochure, User manual, Installation manual, Mounting kit, Ceiling support + tube, Adjustable Burner, Firekiller



Approved certificate EN 16647:2015

Fireplaces for liquid fuels. Decorative appliances producing a flame using alcohol based or gelatinous fuel. Use in private households (Partly)



Installation instructions

Installationsmanual | Installasjonsmanual | Manuel installation | Asennusohje

Read this manual before installation and use!

For decorative and domestic use only.

Keep away from Children.

Please be sure the surface you are placing this appliance can bear its weight.

Installation only in a location which is protected against cross-aeration/air draft.

Do not put any flammable items on top of the appliance.

Do not cover the device when it is in use or still hot.

The vents of the fireplace may not be covered or obstructed when using the product.

Make sure the device is placed on a smooth and level setup area.

When inserting the fireplace compartment in the fireplace, the burner opening must be facing forward, that is, towards the opening on the fireplace.

Attention: Never place the burner in the fireplace when filled to prevent bioethanol from being inadvertently spilled.

Follow the instruction for adding Bioethanol, ignition and extinction, and the safety norms in the attached user manual. Enjoy the Purline flame.

It is recommended the use of a high quality ethanol fuel for fireplaces, as our Purline fuel for fireplaces. The use of other brands can invalidate the warranty. Always follow the instructions and recommendations of the fuel supplier.

Due to our policy of continuous product improvement, we reserve the right to discontinue or change product specifications or designs.