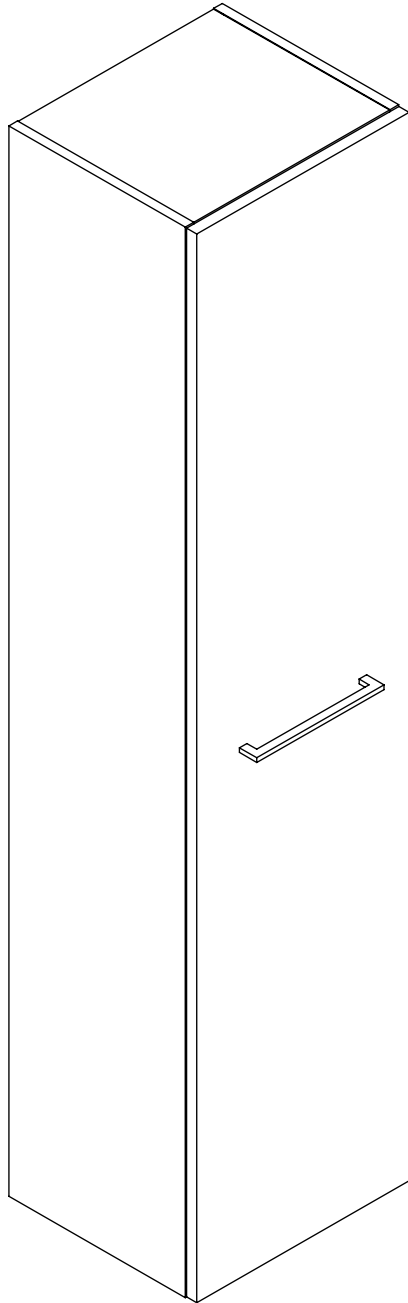
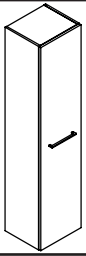




DANSANI
DANISH BATHROOM DESIGN





6x
5-500



2x
390010190



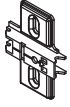
6x
5,0-60SU



6x
3900100xx



4x
190300083



4x
190040200



8x
4,0-16LH



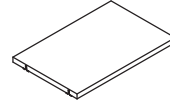
16x
415532



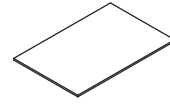
4x
19500000



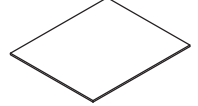
4x
3,5-20SU



1x
3038400xx-70






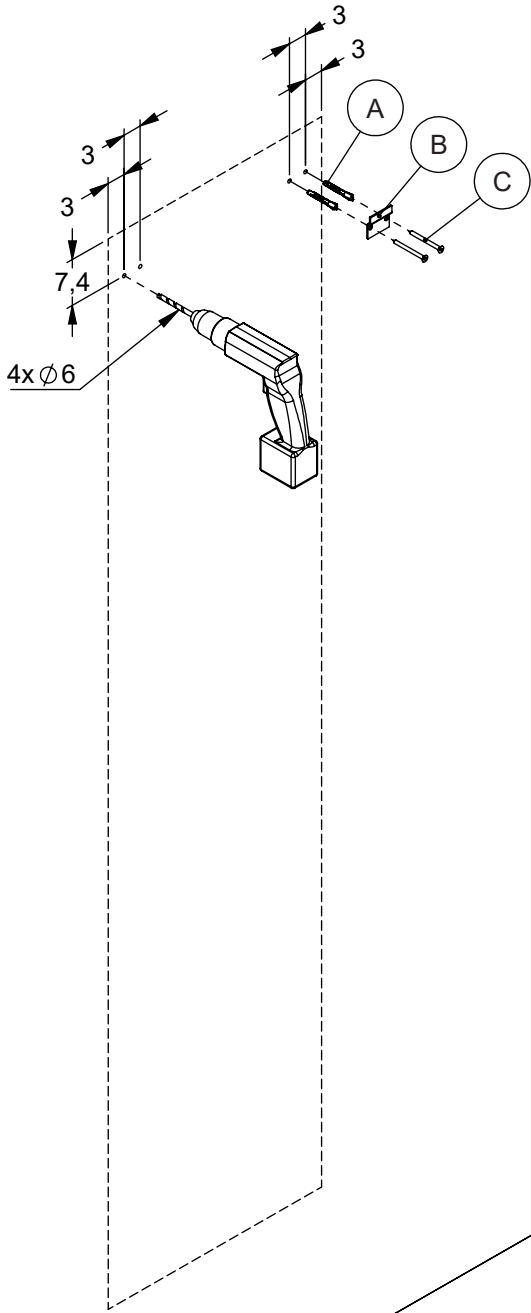
2x
320340900



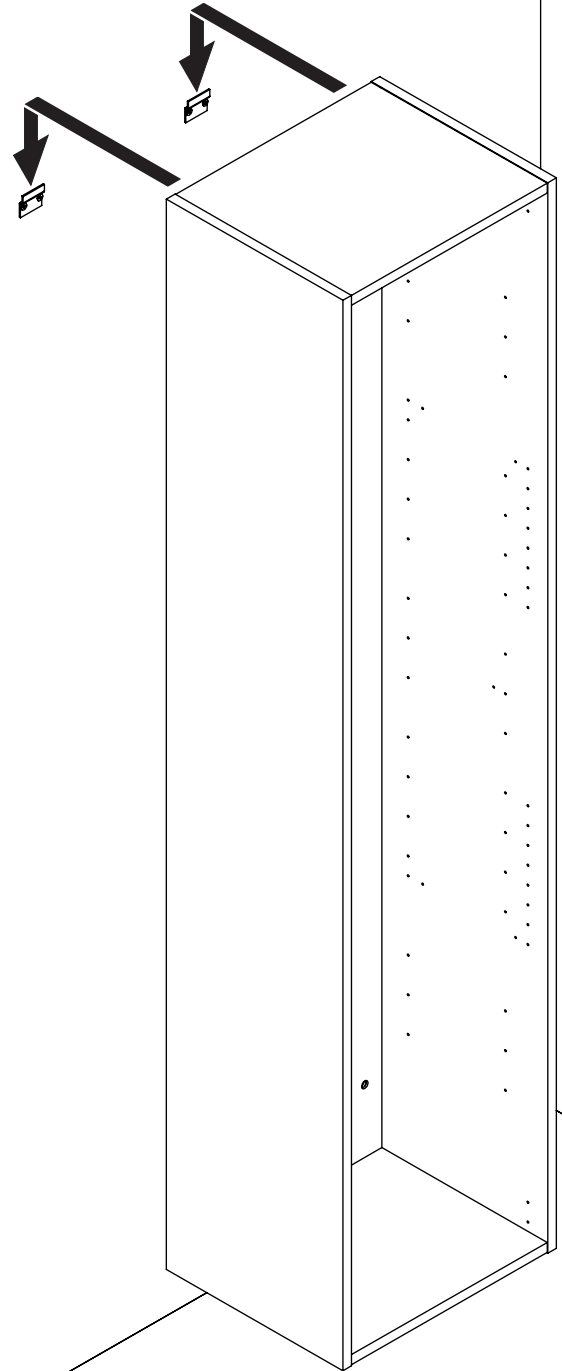
2x
320340200

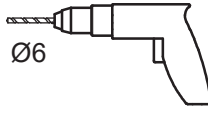



1

		
4x 5-500	2x 390010190	4x 5,0-60SU

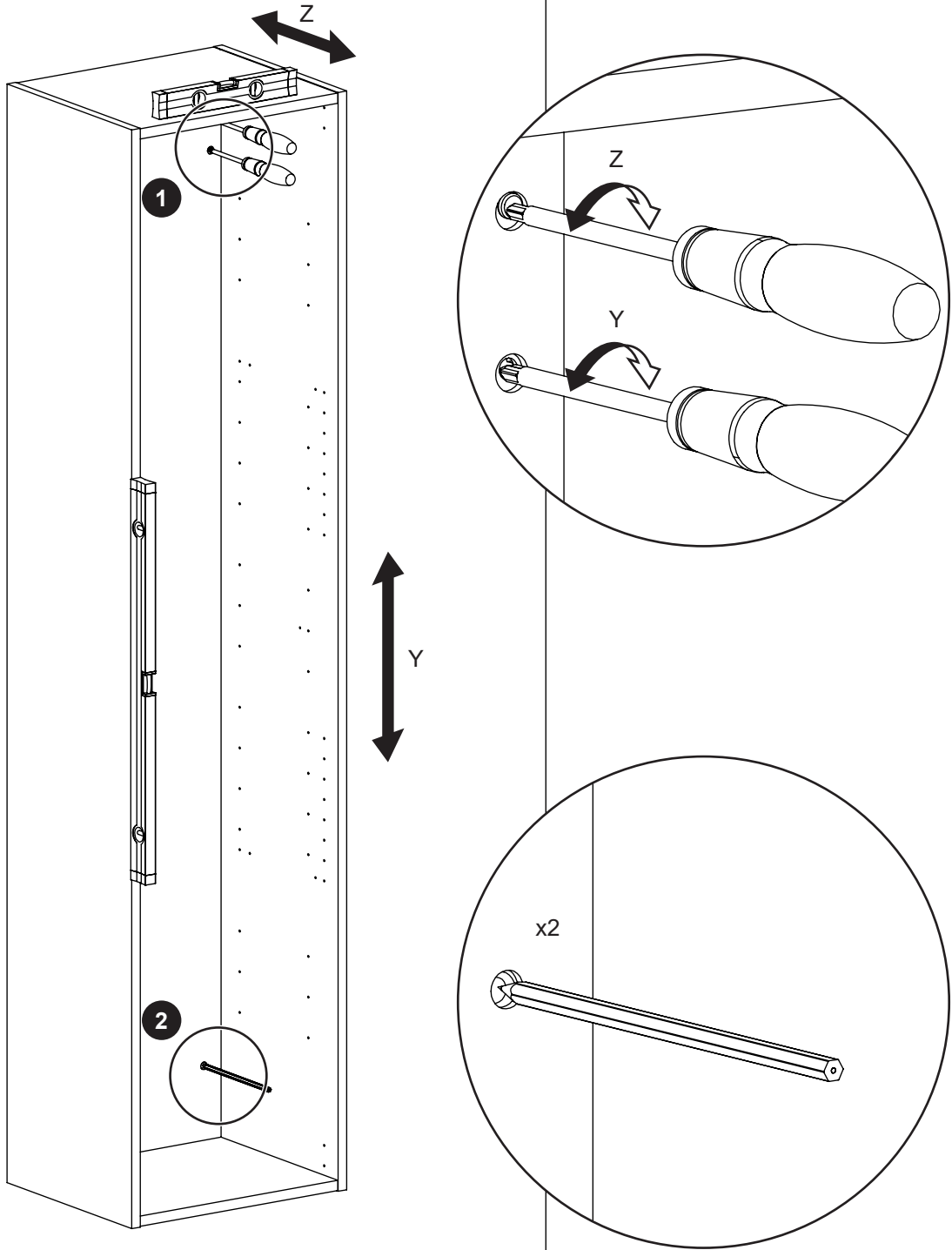


2

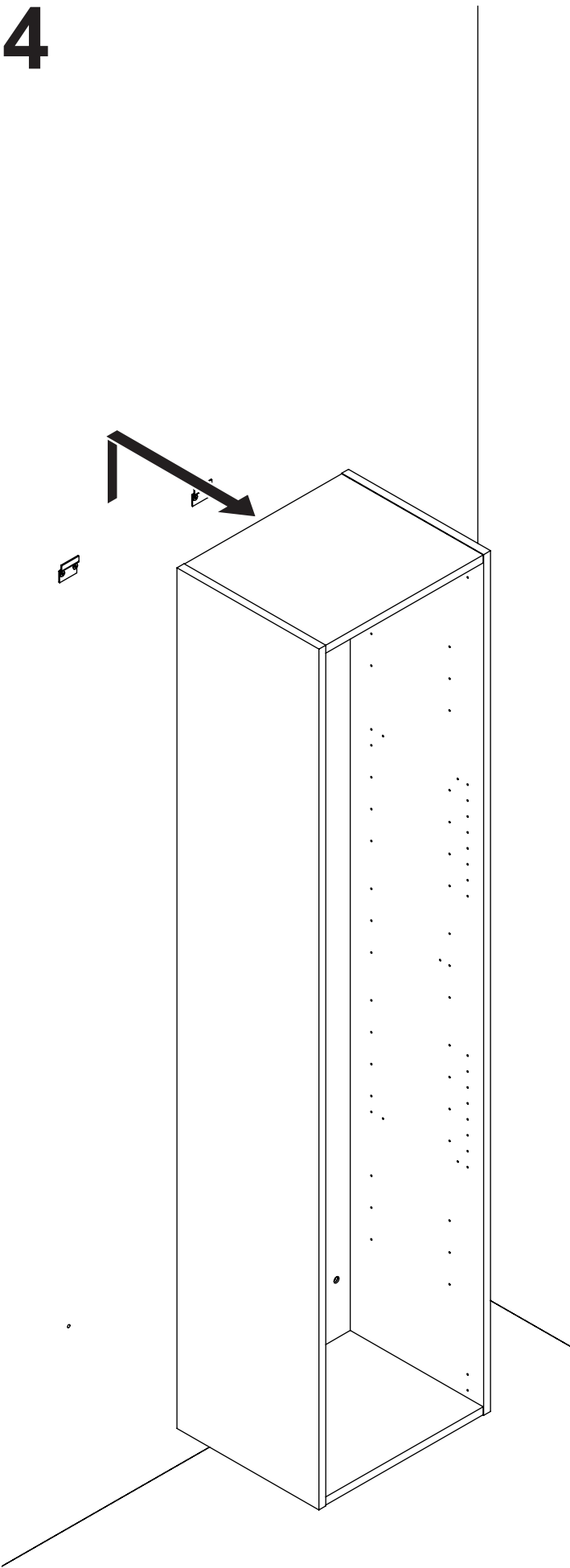


1	
	Ø6
2	
	SILICONE
3	
	A
4	
	SILICONE

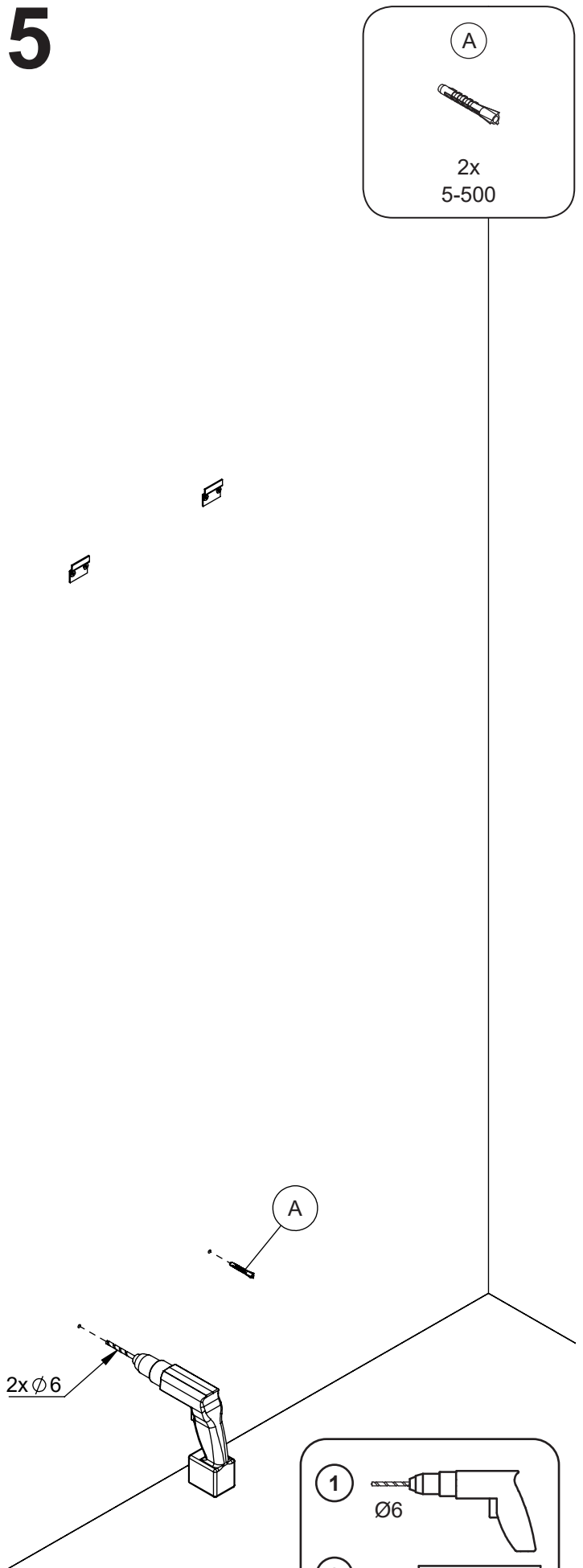
3




4



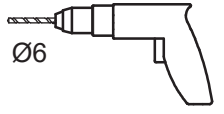
5





(A)




2x
5-500

1  Ø6

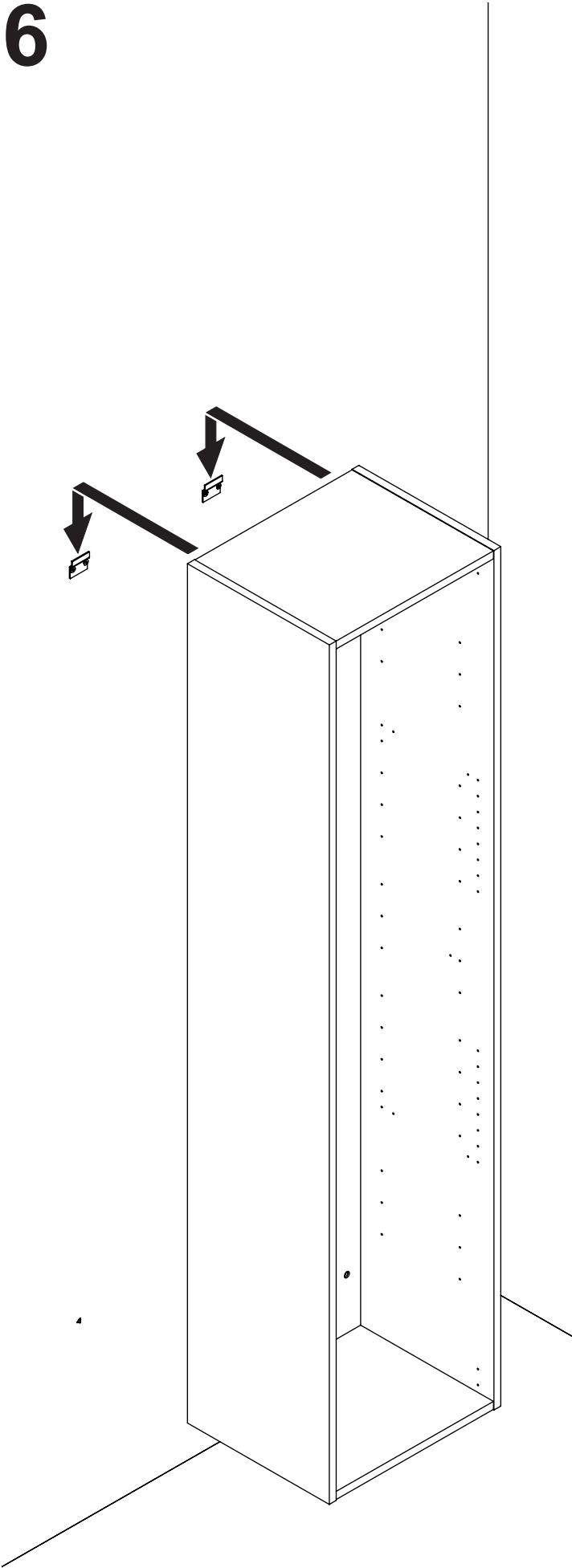
2  SILICONE

3  (A)

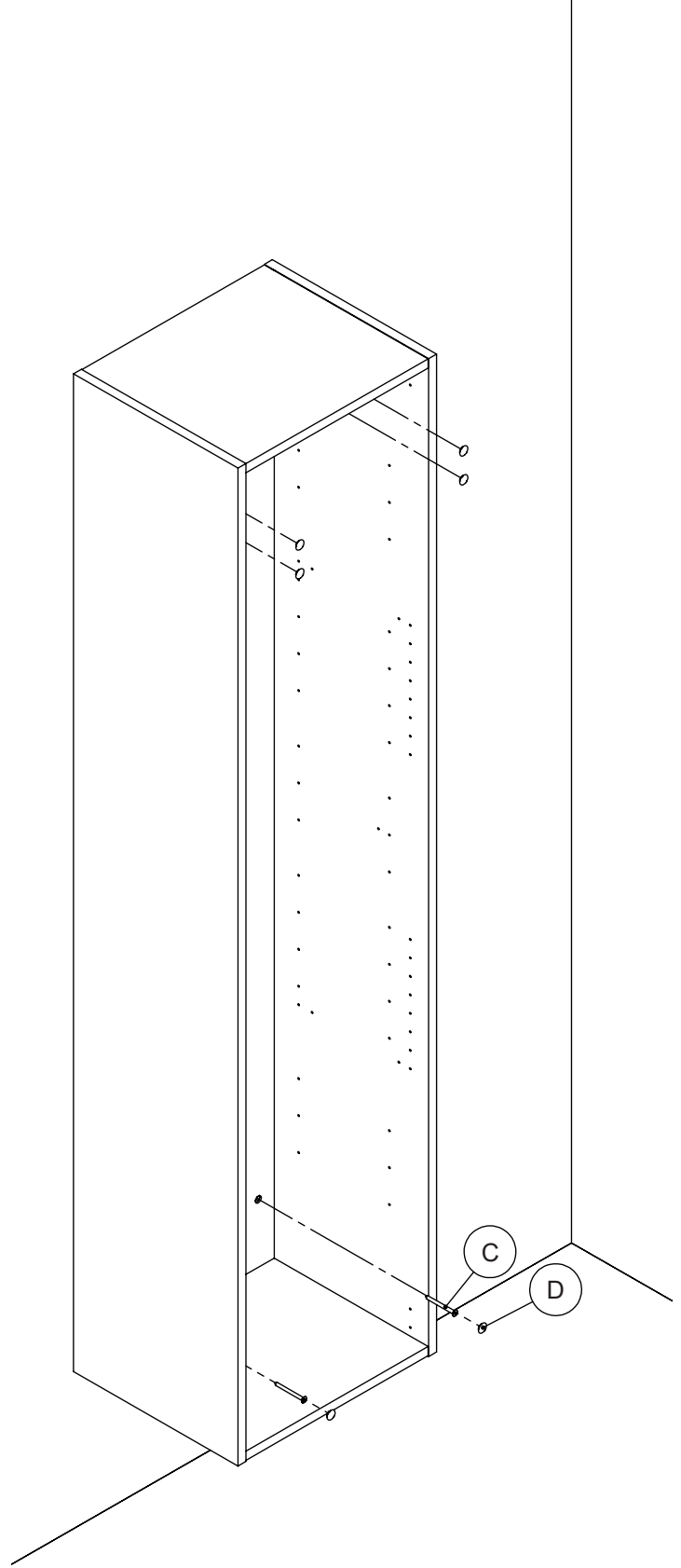
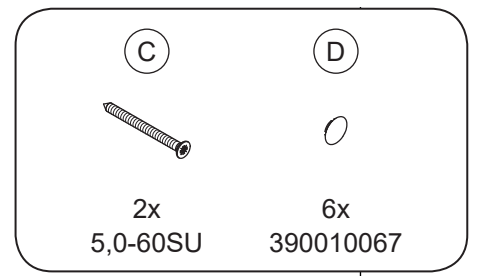
4  SILICONE




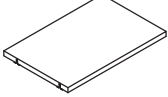
2x Ø6

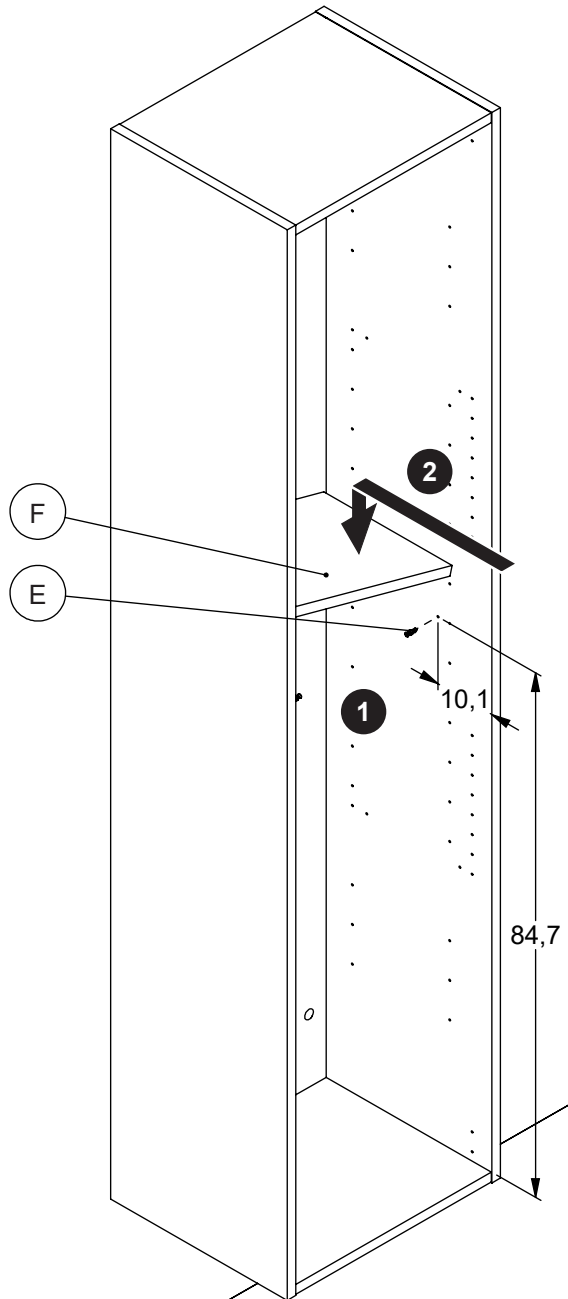
6





7

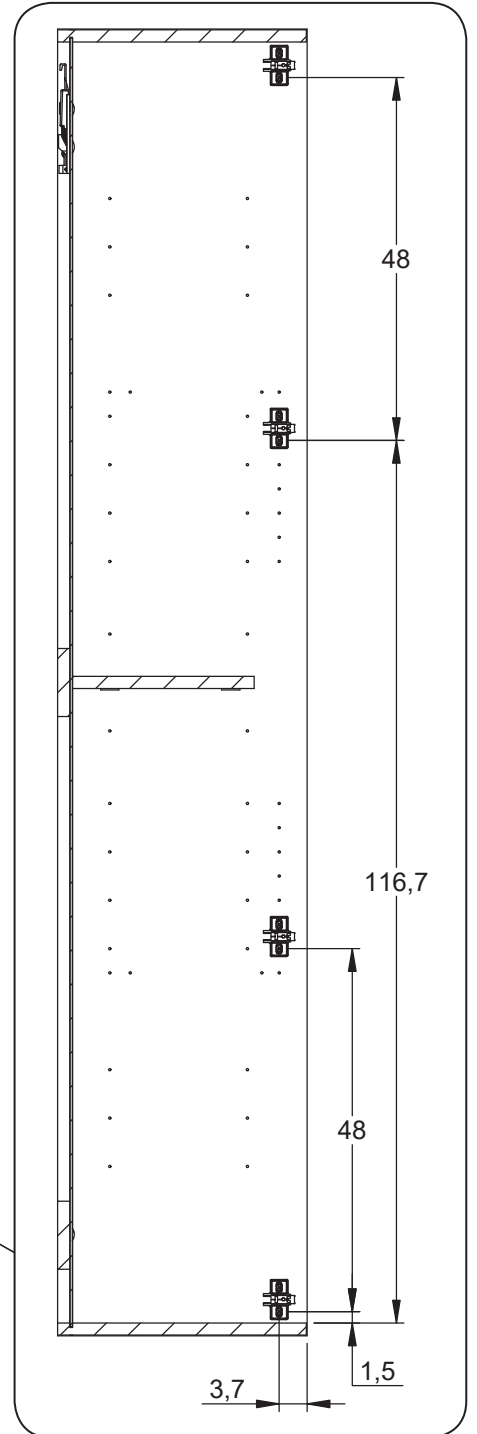
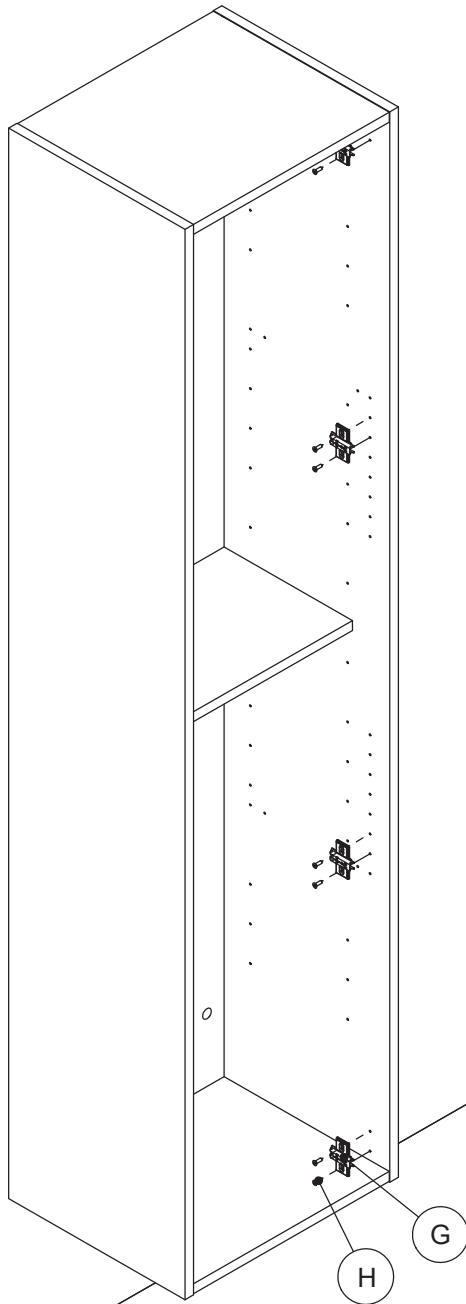


	
E	F
	
4x	1x
190300083	3038400xx-70


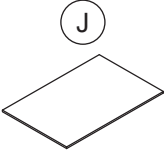
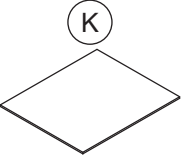


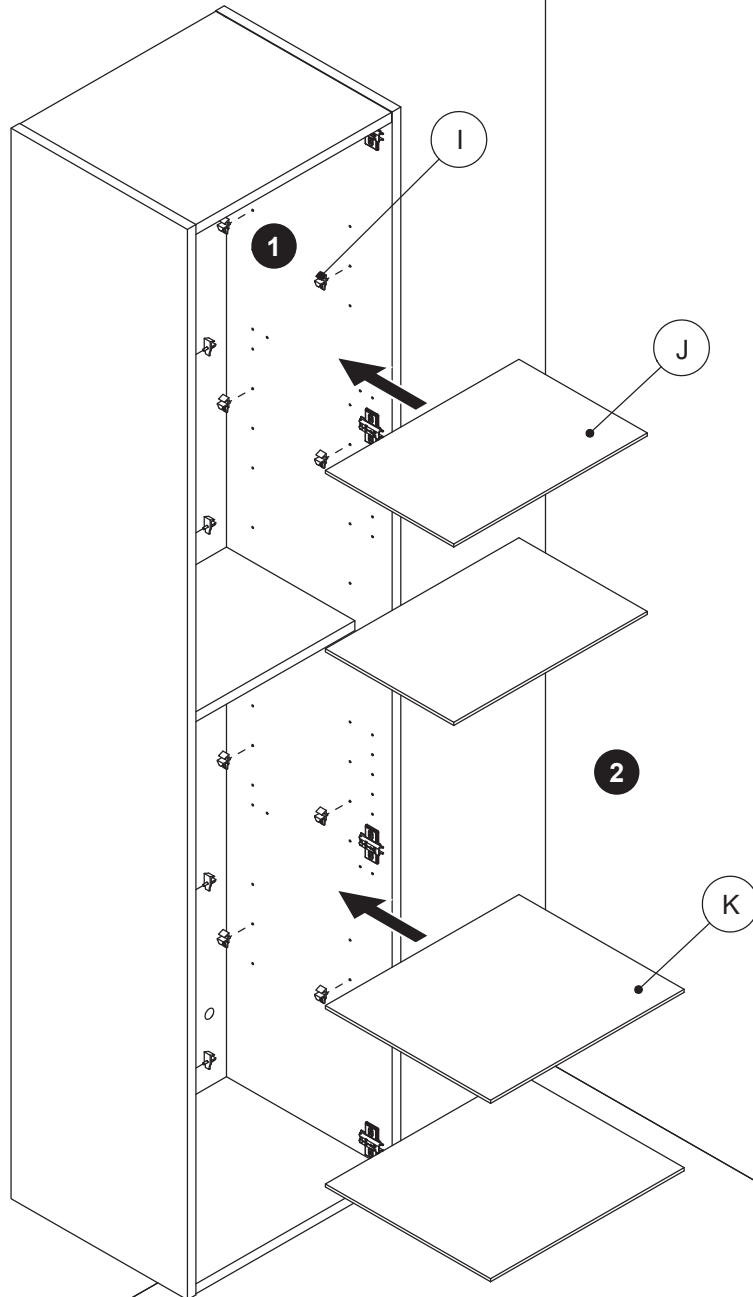
9

	
4x 190040200	8x 4,0-16LH








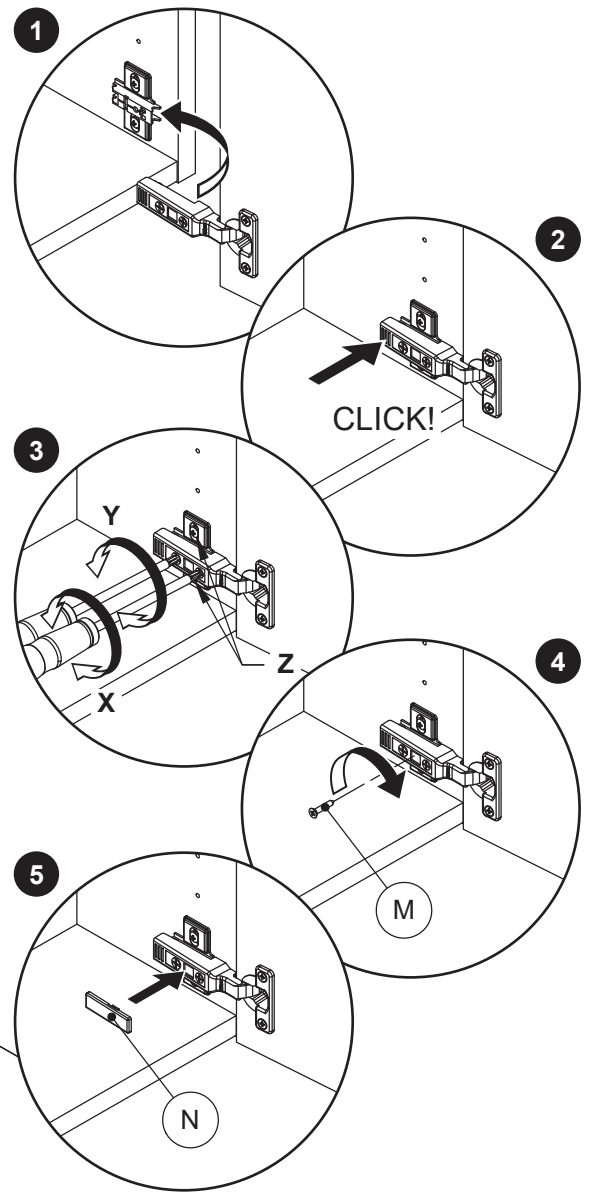
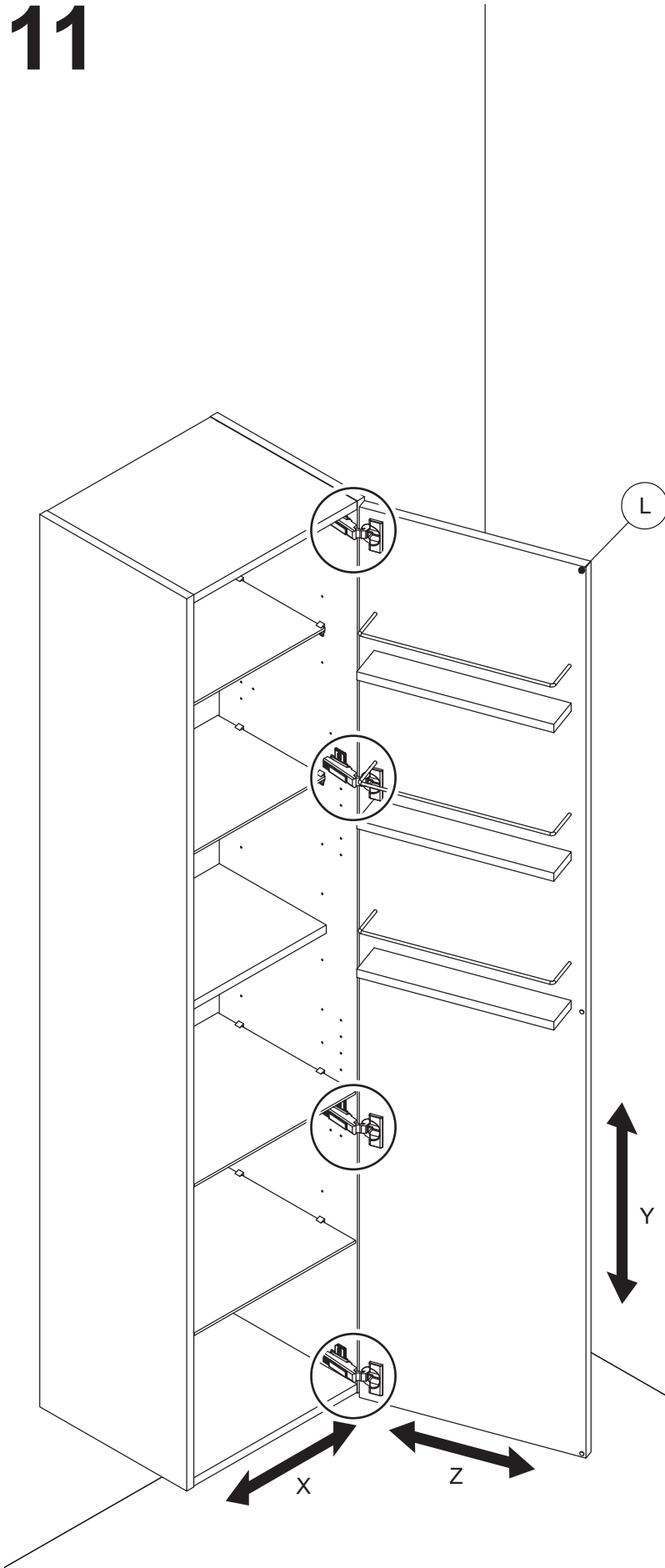
10

		
16x 415532	2x 320340900	2x 320340200

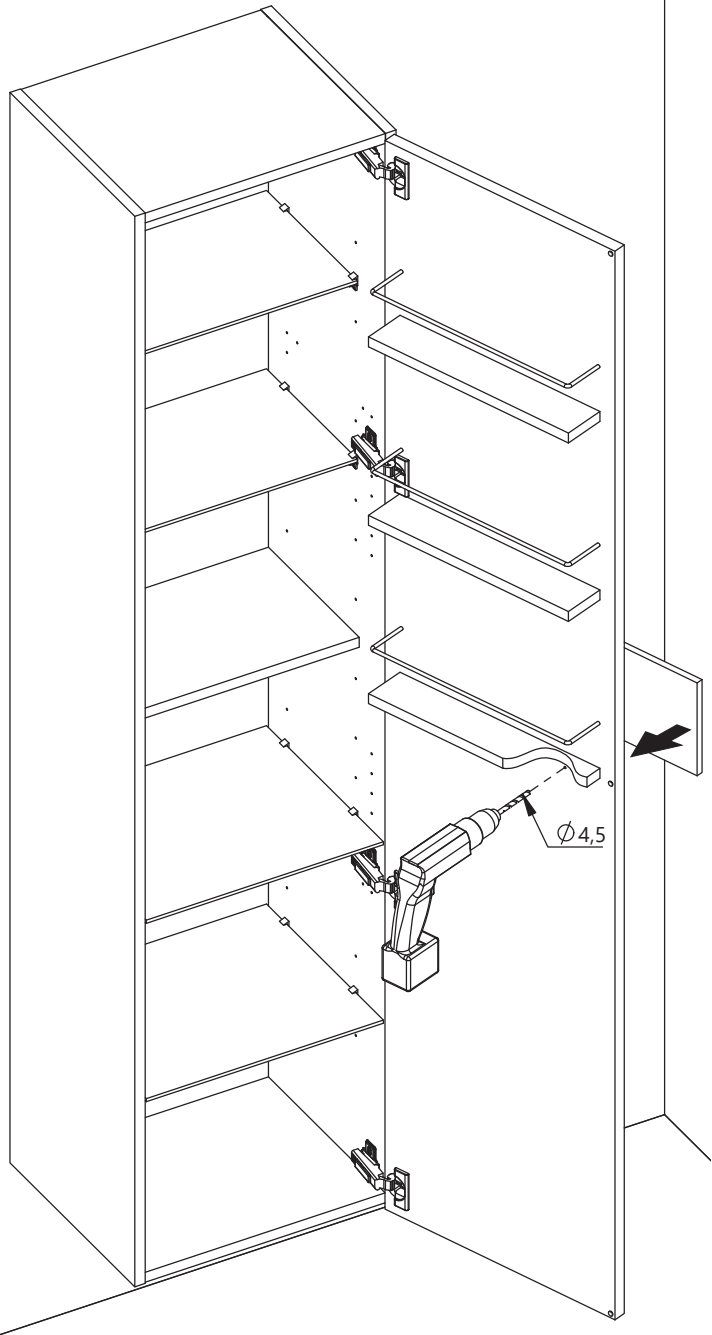


11

		
o		
4x 19500000	4x 3,5-20SU	4x 390010110



12A



12B

