

MONTERINGSANVISNING

ASSEMBLY INSTRUCTIONS

PADANG SOFFBORD

Art. nr 18010-680



Assembly instructions | Monteringsanvisning



18010-680

Assembly Instruction

Thank you for purchasing this quality product. Be sure to check all packing material carefully for small part, which may have come loose inside the carton during shipment. Count all the parts and hardware, compare with partlist below to be sure all part are present.

1. Lay the table face down on a clean, flat, soft surface and use caution during assembly to prevent scratching the table top.
2. Follow the instruction and steps illustrated. Please do not tighten the bolt on any side on table leg before the table is fully set up.

PADANG/CIREBON SOFA TABLE SQUARE PARTLIST		
No.	Description	Qty.
1	88888-174 SP PADANG SOFA TABLE SQUARE - LEGS	2
2	FRAME JOINT LEGS	4
3	BASE PANEL	1
4	TOP PANEL	1

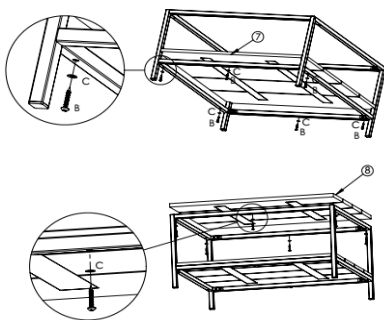
PADANG/CIREBON SOFA TABLE SQUARE 88888-172 SP SCREW SET		
No.	Description	Qty.
A	BOLT JP M6 x 10 mm	16
B	SCREW Ø10 x 1 1/2" PAB	12
C	WASHER M6	12

PADANG/CIREBON SOFA TABLE SQUARE SP PLASTIC FEET		
No.	Description	Qty.
D	COVER CAP 20 x 20	4

TIME	LABOUR	TOOLS	
20	1 2		Use only hand screwdriver for mounting fittings/screws as the usage of power drill/drivers could damage the unit.

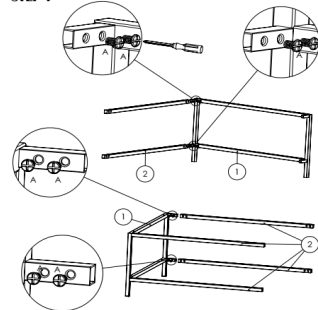
ILLUSTRATION			
A	B	C	D
E	F	G	H

STEP-3

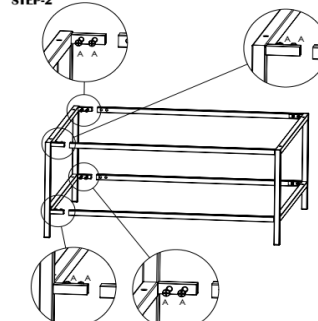


Tighten all screws 20° cross-tighten all screws fully assembled. Note screws are tightened or by screw driver, as the product may app

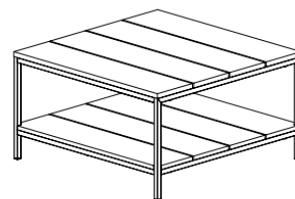
STEP-1



STEP-2



STEP-4



FULL-ASSEMBY

Note: Improper use, improper assembly and mishandling may lead to defects / cracks appearing

OBS! : Oaktam hantering och montering kan leda till skador / sprickor

Hinweis: Unsachgemäße Verwendung, unsachgemäße Montage und unsachgemäße Handhabung können zu Defekten / Rissen führen

2020

VENTURE DESIGN
HOME & INTERIOR