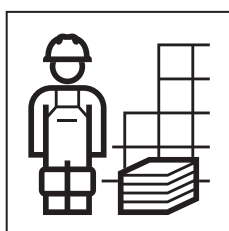


INSTALLATION MANUAL

MONTAGEANLEITUNG
INSTRUCTIONS DE MONTAGE
ISTRUZIONI PER IL MONTAGGIO

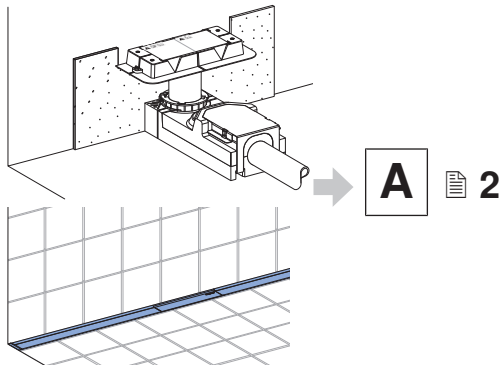


966.682.00.0(06)

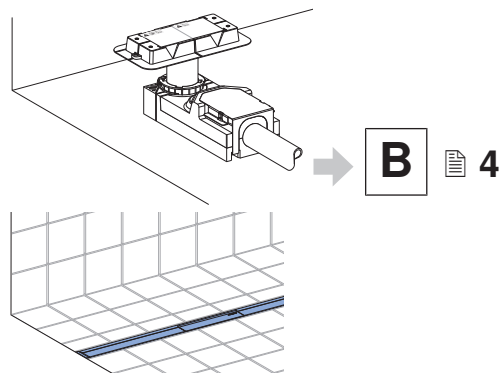




CleanLine20/60/80

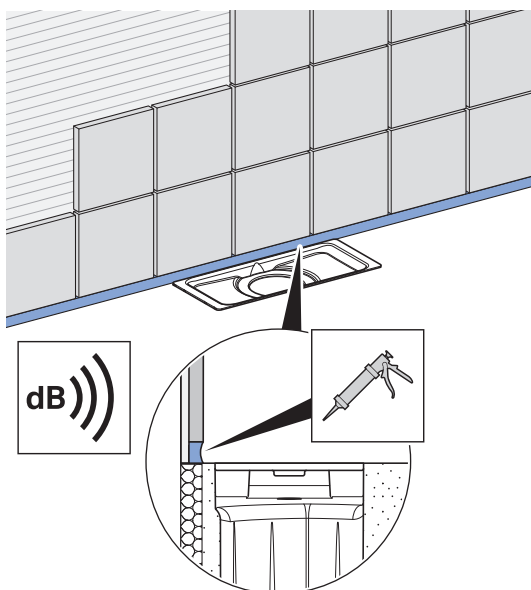


CleanLine20/60/80
CleanLine50

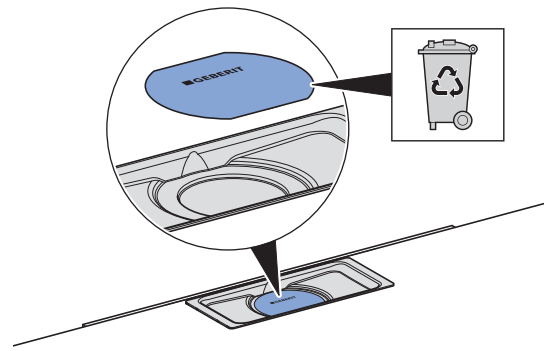


A

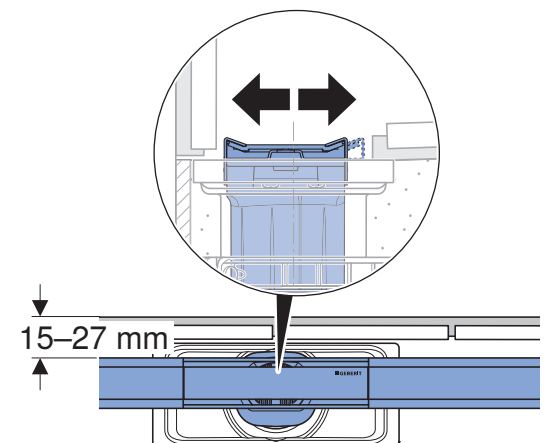
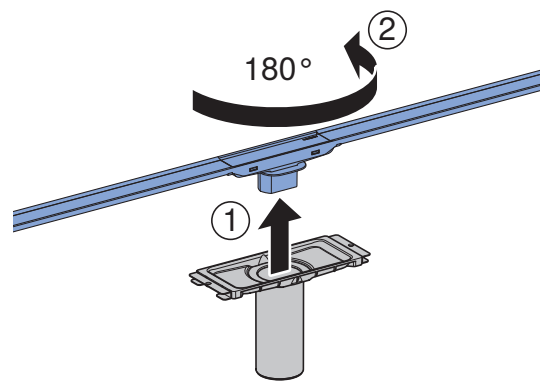
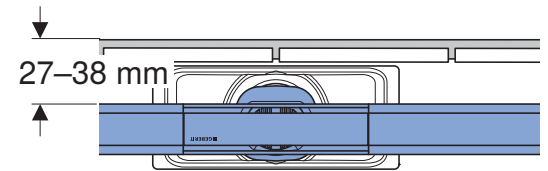
1



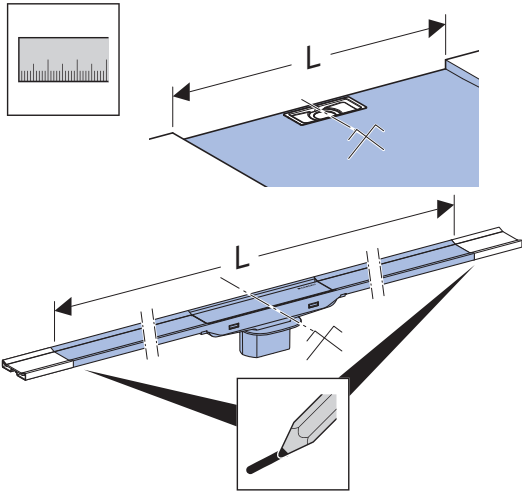
2



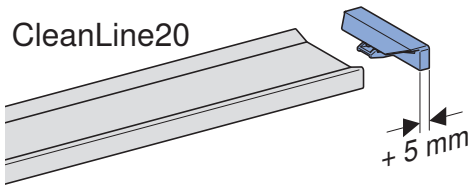
i



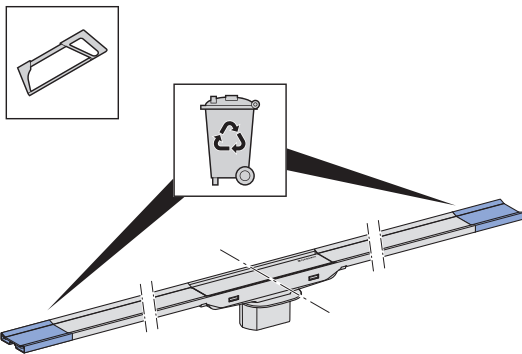
3



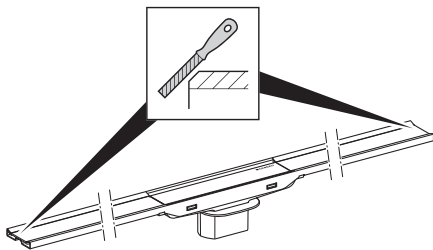
i



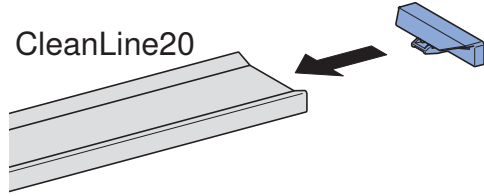
4



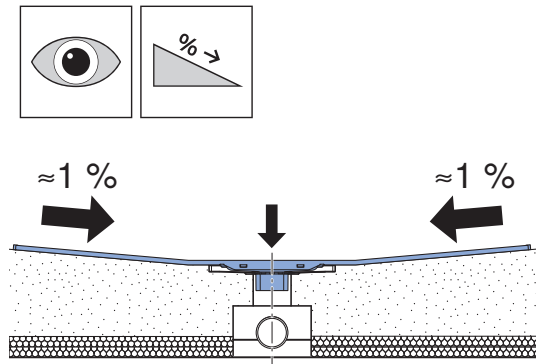
5



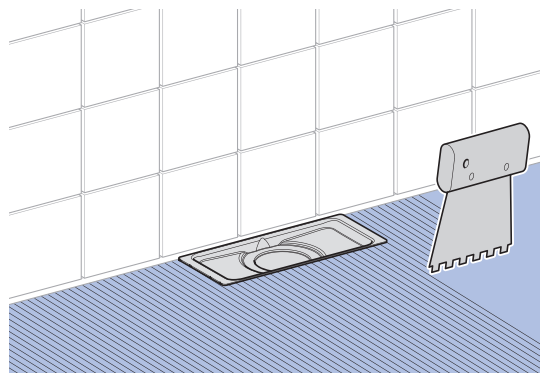
6



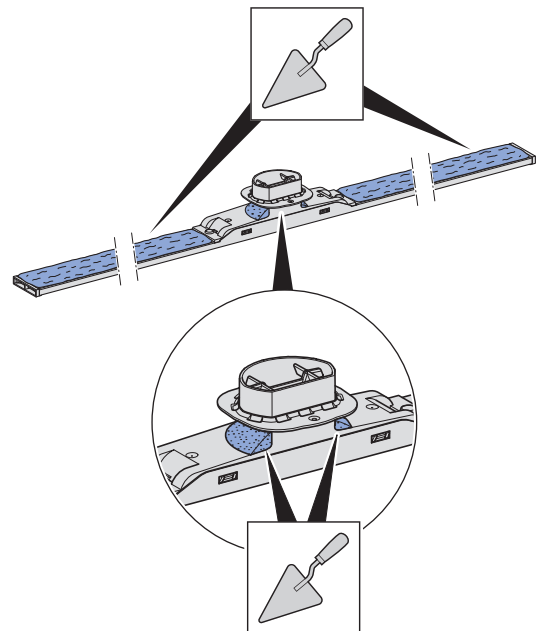
i



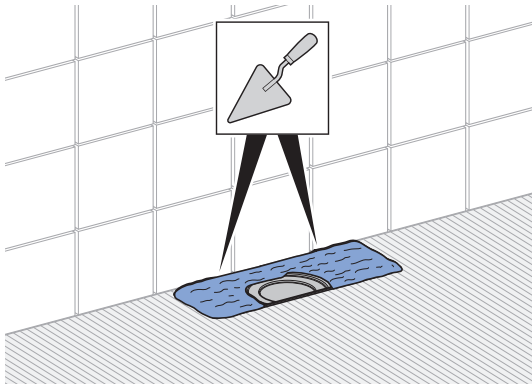
7



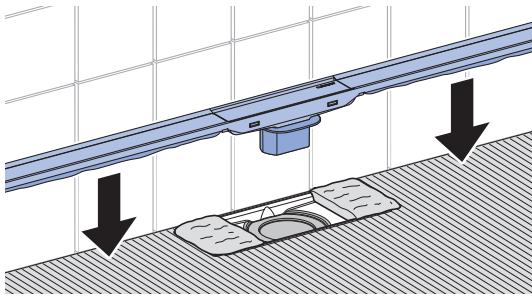
8



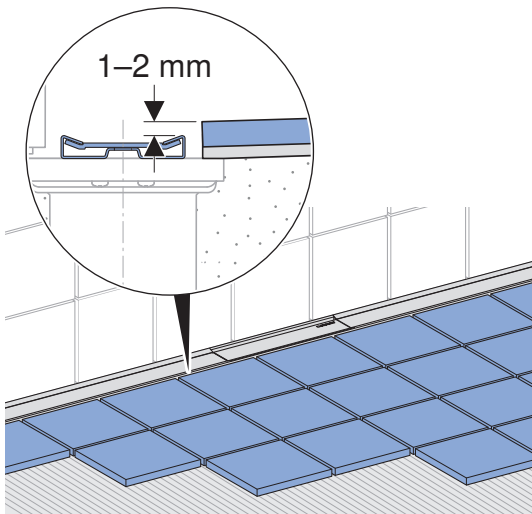
9



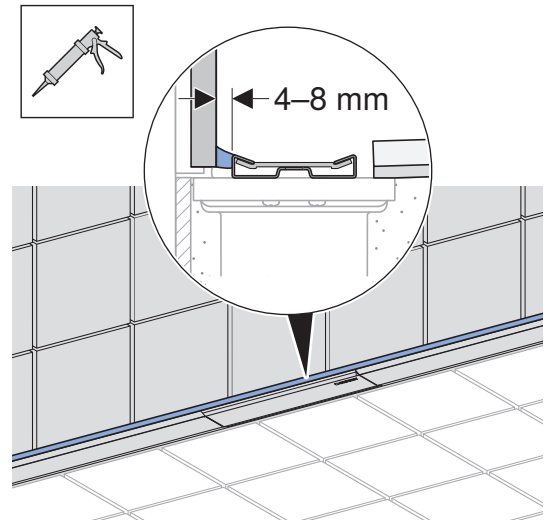
10



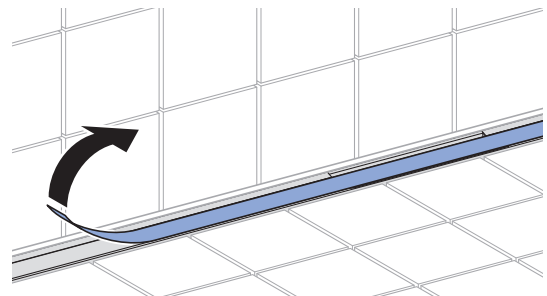
11



12

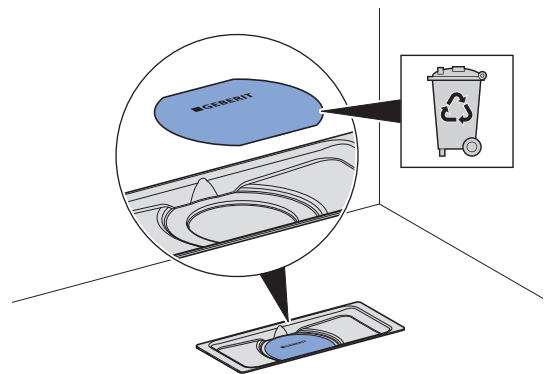


13

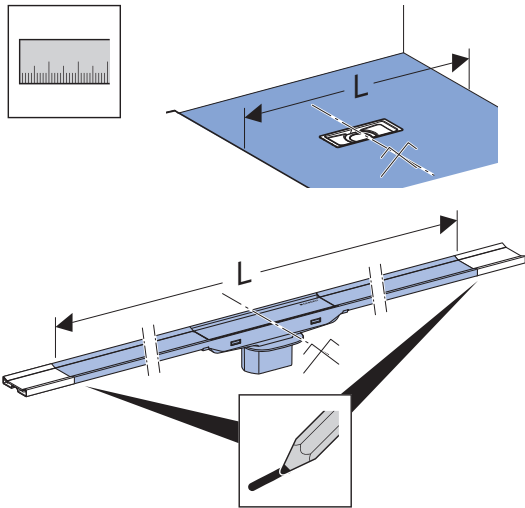


B

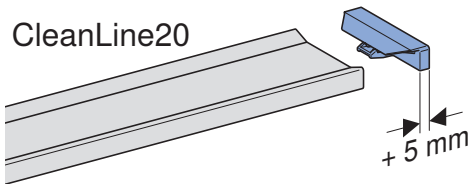
1



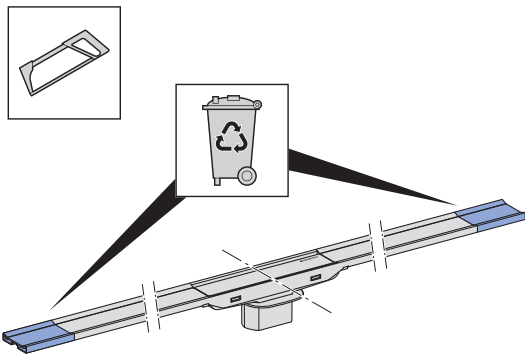
2



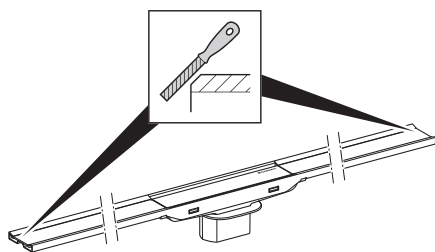
i



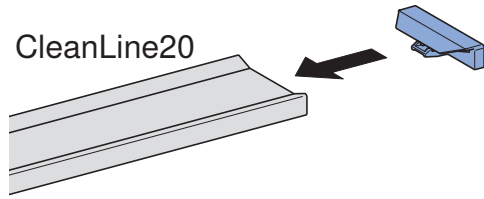
3



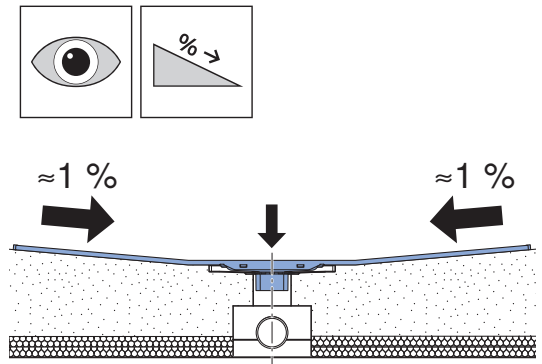
4



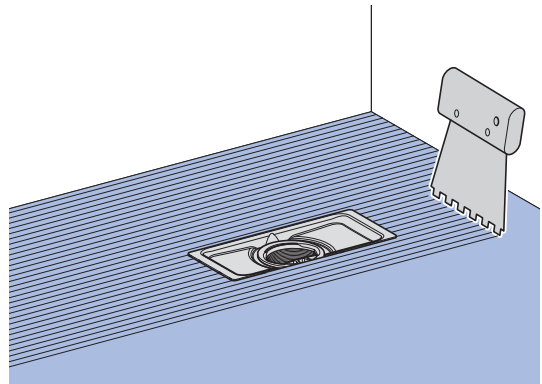
5



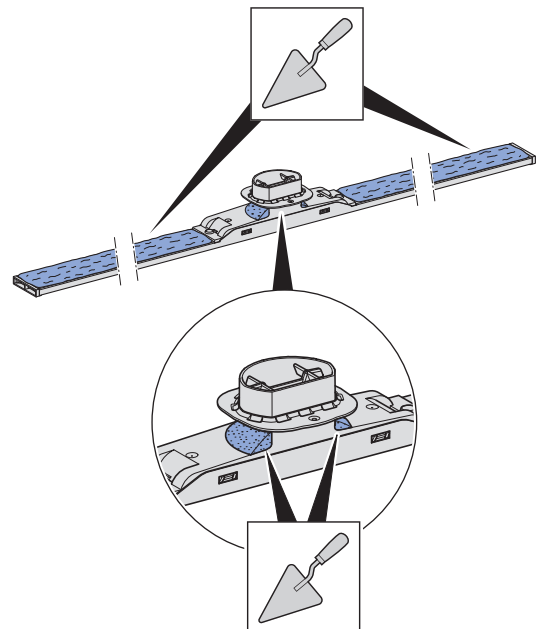
i



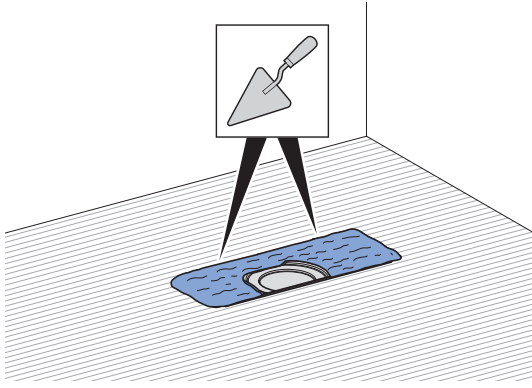
6



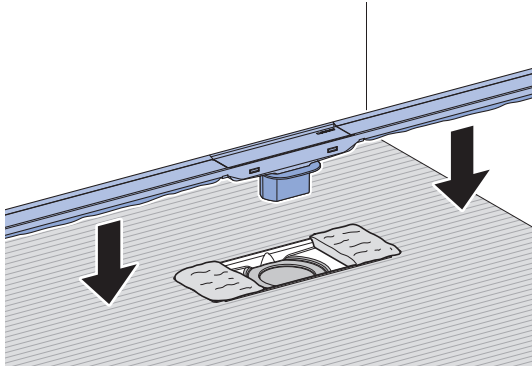
7



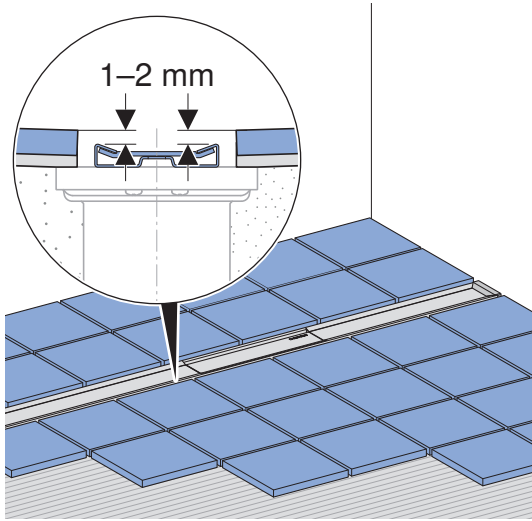
8



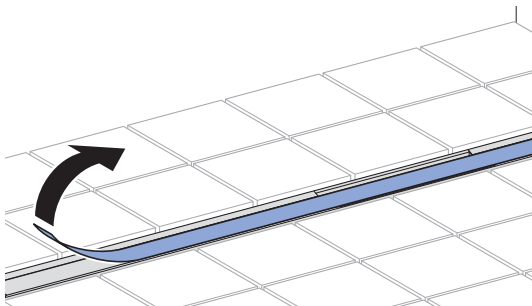
9



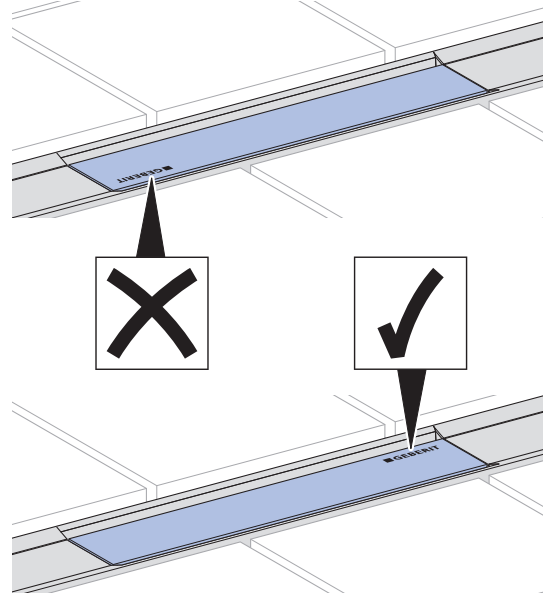
10



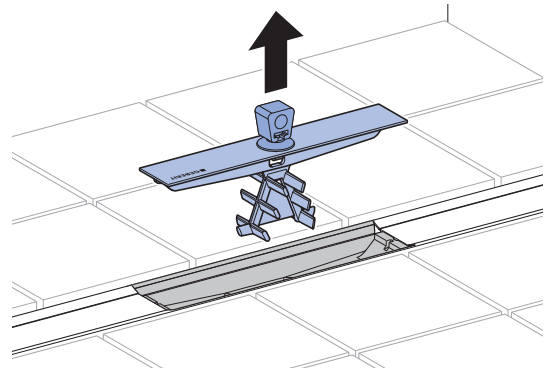
11



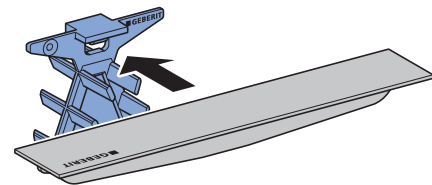
1



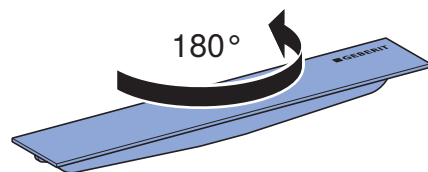
2



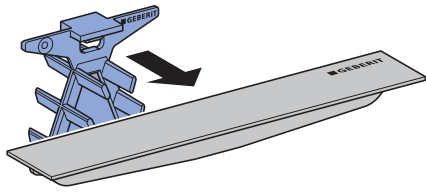
3



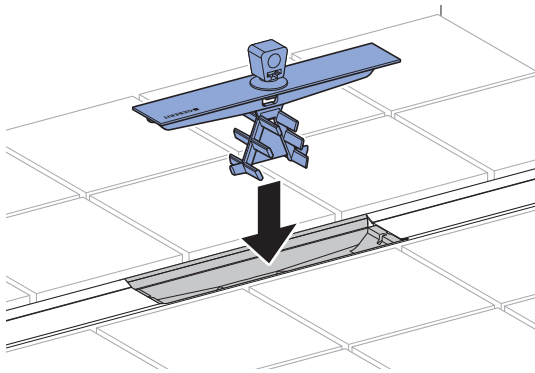
4



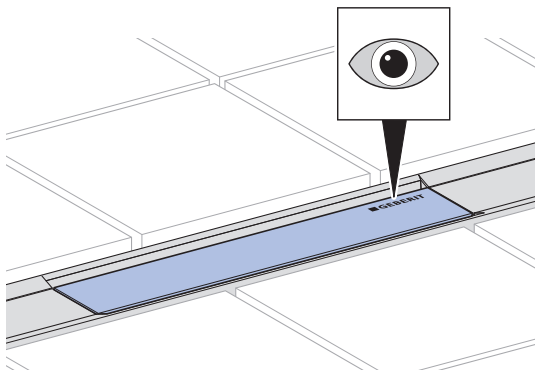
5



6



7



Geberit International AG
Schachenstrasse 77, CH-8645 Jona
documentation@geberit.com
www.geberit.com

