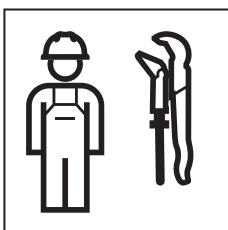


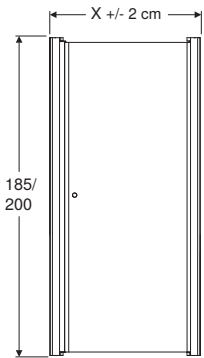
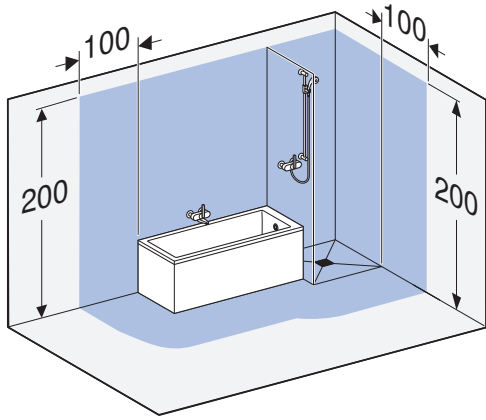
# INSTALLATION MANUAL

MONTERINGSANVISNING  
 MONTERINGSANVISNING  
 MONTERINGSVEJLEDNING  
 ASENNUSOHJE

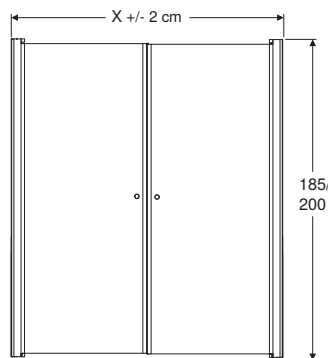


970.790.00.0(00)

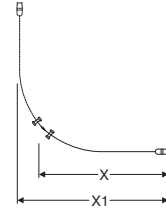
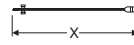
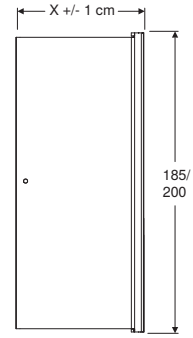
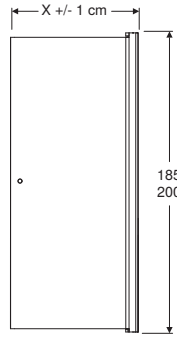




| X  |          |
|----|----------|
| 70 | +/- 2 cm |
| 75 | +/- 2 cm |
| 80 | +/- 2 cm |
| 85 | +/- 2 cm |
| 90 | +/- 2 cm |
| 95 | +/- 2 cm |

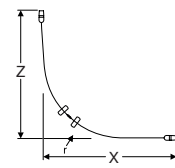
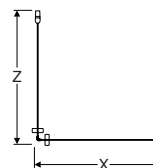
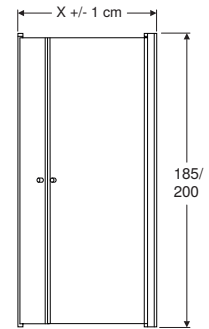
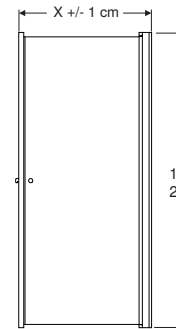


| X   |          |
|-----|----------|
| 100 | +/- 2 cm |
| 110 | +/- 2 cm |
| 120 | +/- 2 cm |



| X   |          |
|-----|----------|
| 60  | +/- 1 cm |
| 65  | +/- 1 cm |
| 70  | +/- 1 cm |
| 75  | +/- 1 cm |
| 80  | +/- 1 cm |
| 85  | +/- 1 cm |
| 90  | +/- 1 cm |
| 100 | +/- 1 cm |

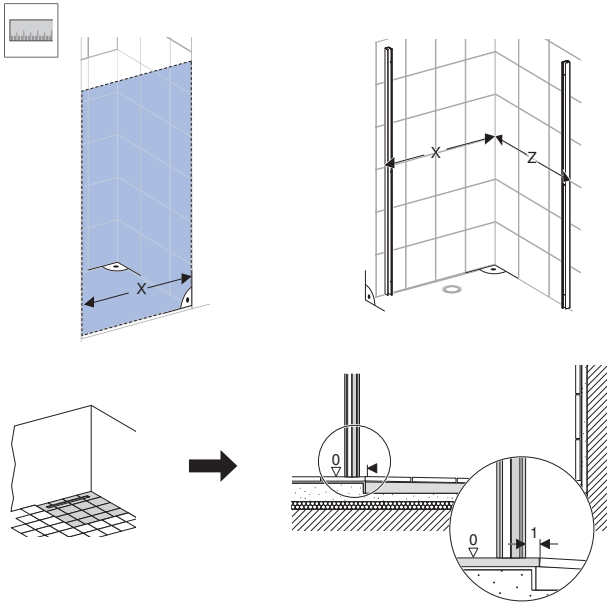
| X   |          | X1 |          |
|-----|----------|----|----------|
| 63° | +/- 1 cm | 80 | +/- 1 cm |
| 74° | +/- 1 cm | 90 | +/- 1 cm |



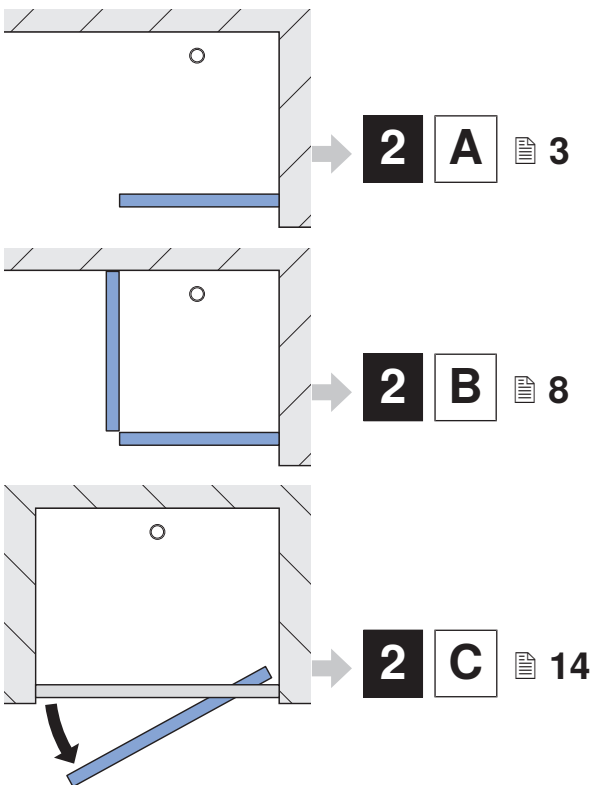
| X  |          | Z  |          |
|----|----------|----|----------|
| 80 | +/- 1 cm | 80 | +/- 1 cm |
| 90 | +/- 1 cm | 90 | +/- 1 cm |

| X  |          | Z  |          |
|----|----------|----|----------|
| 80 | +/- 1 cm | 80 | +/- 1 cm |
| 90 | +/- 1 cm | 90 | +/- 1 cm |

**1**

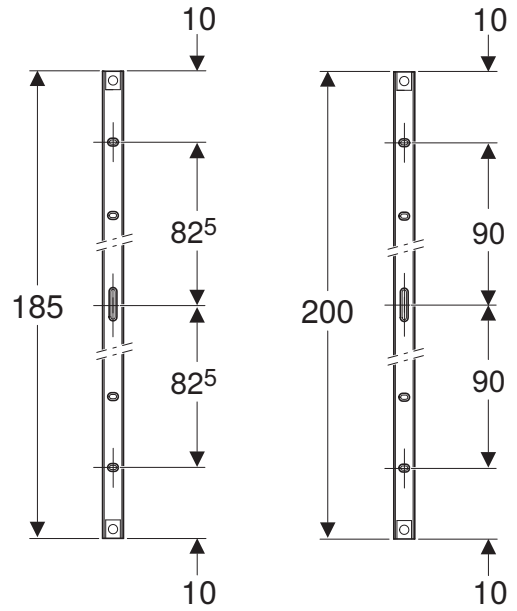
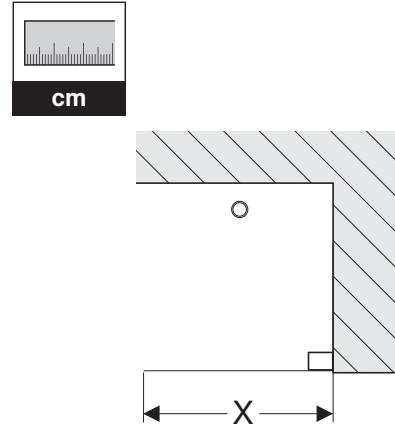


**2**

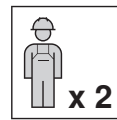


**2 A**

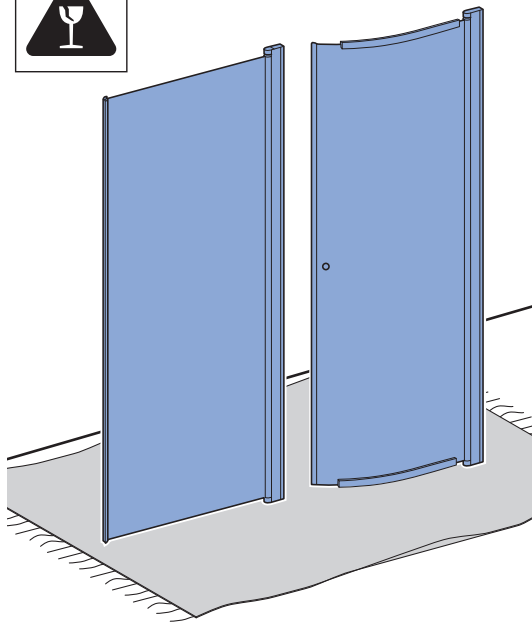
✓



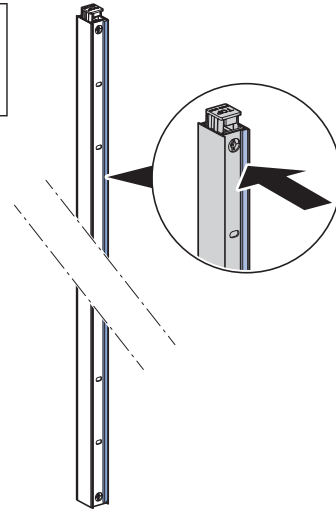
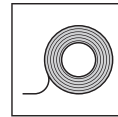
**i**



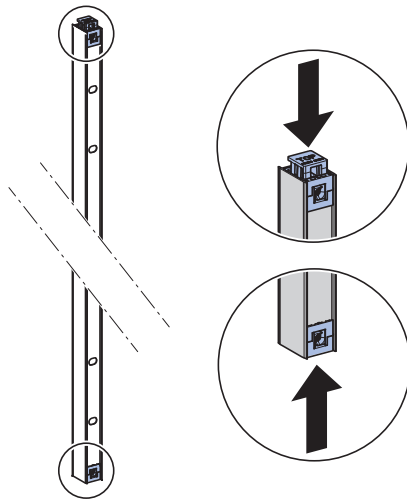
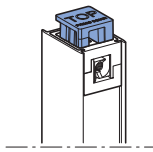
**i**



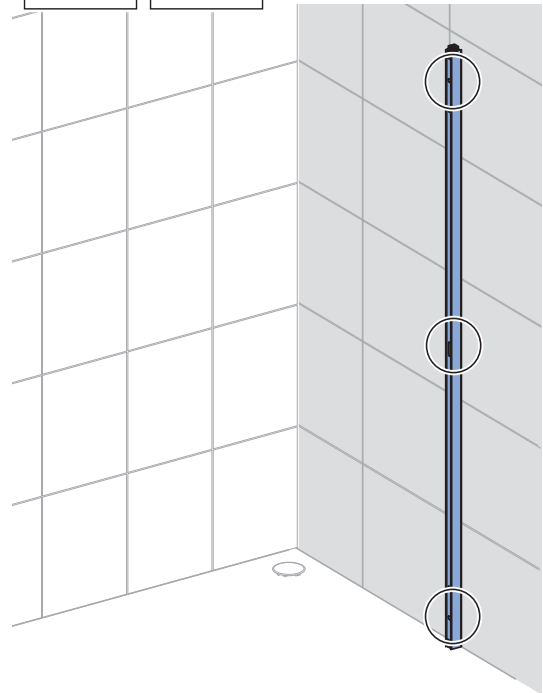
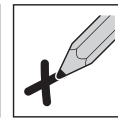
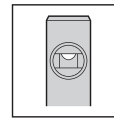
**2**



**1**

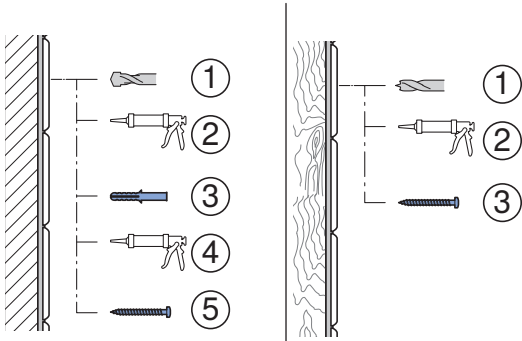


**3**

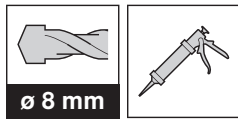




EN 15651-3: Class XS1

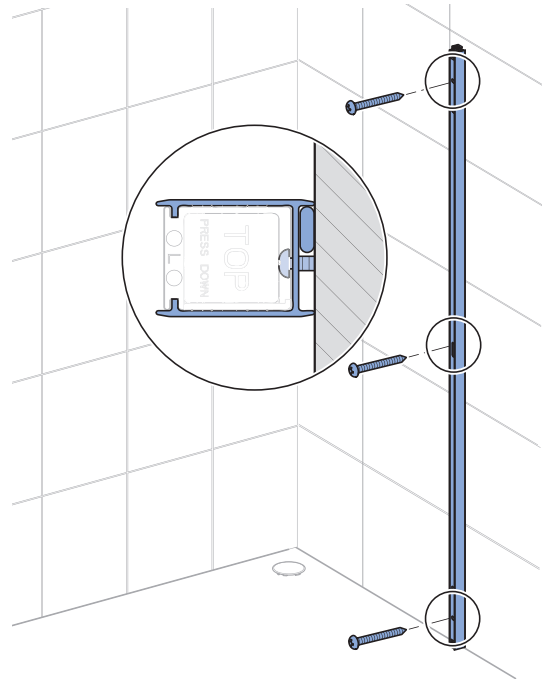
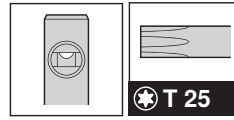


4

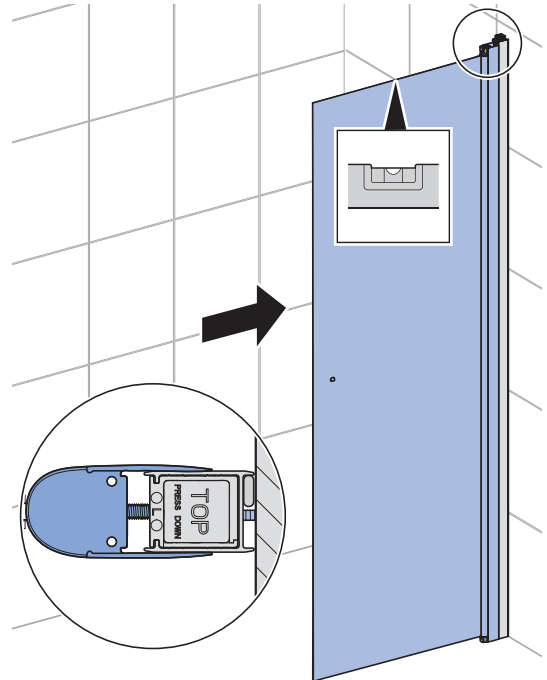


5

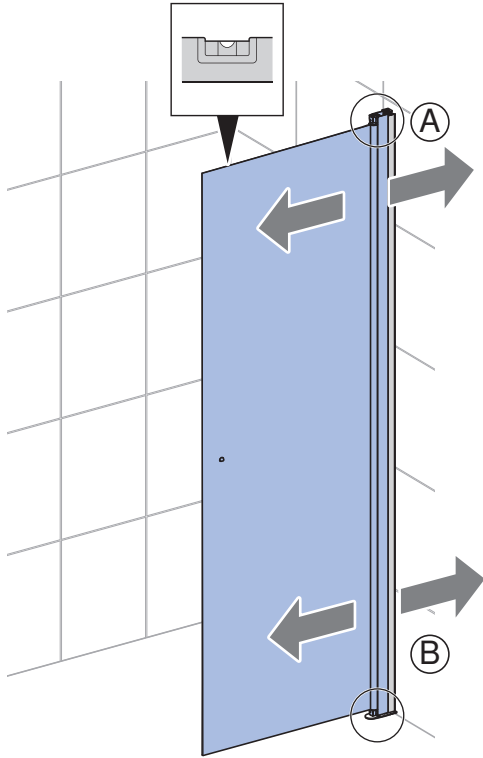
3 x  4.8 x 50 mm



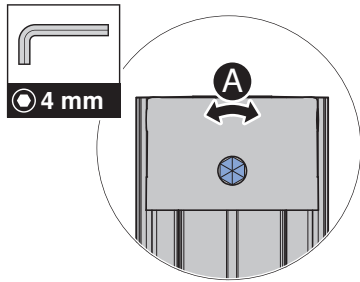
6



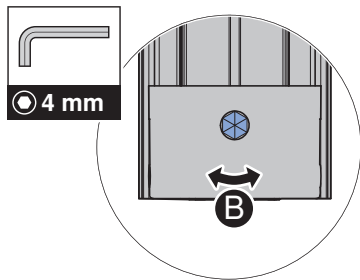
7



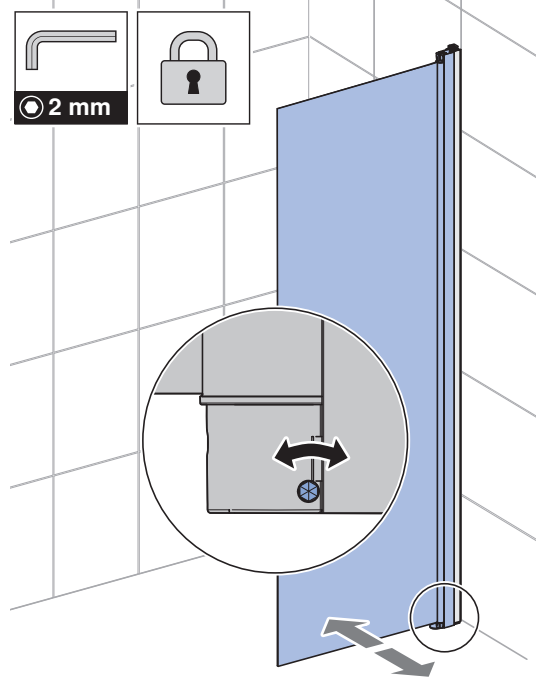
A



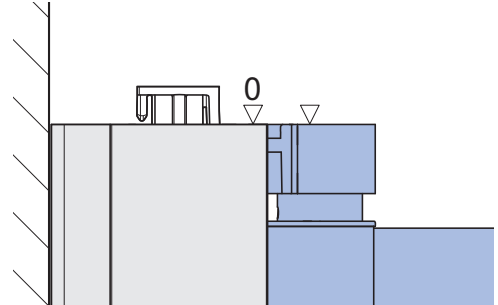
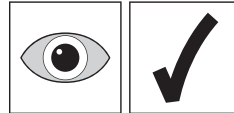
B



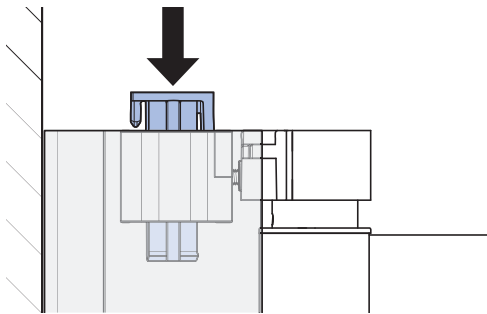
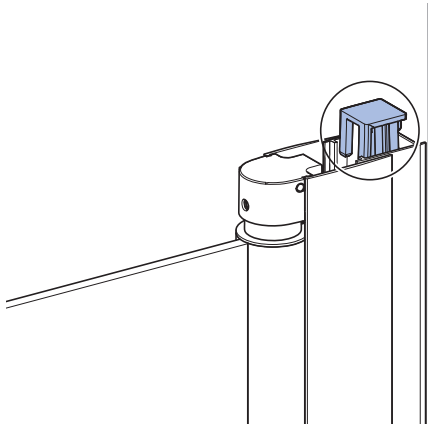
8



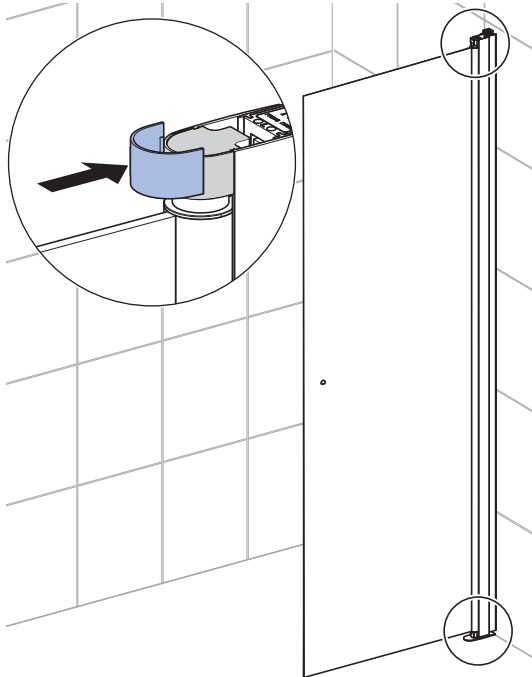
i



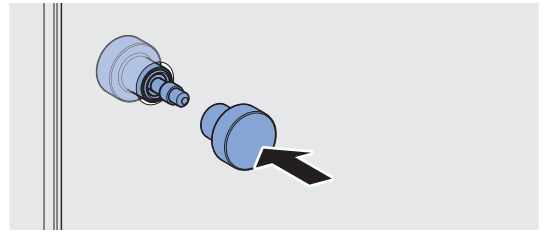
9



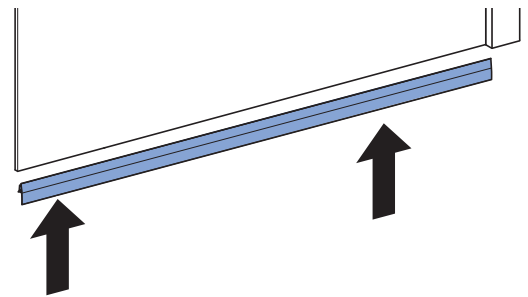
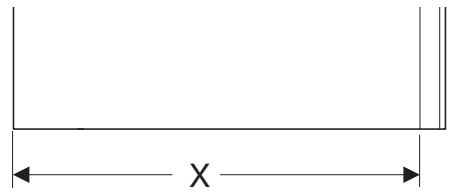
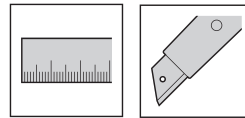
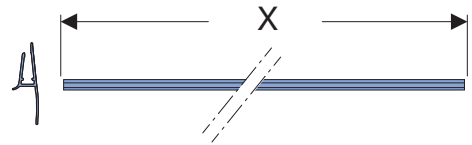
10



11

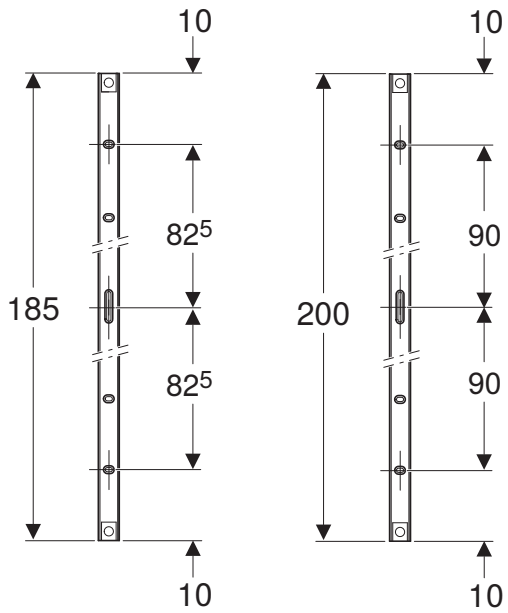
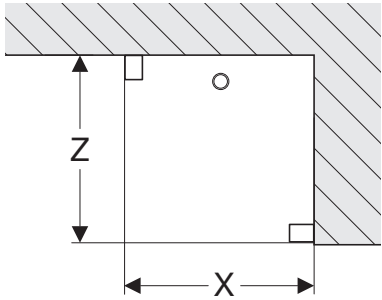
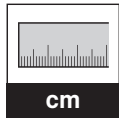


12

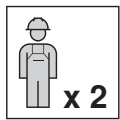


# 2 B

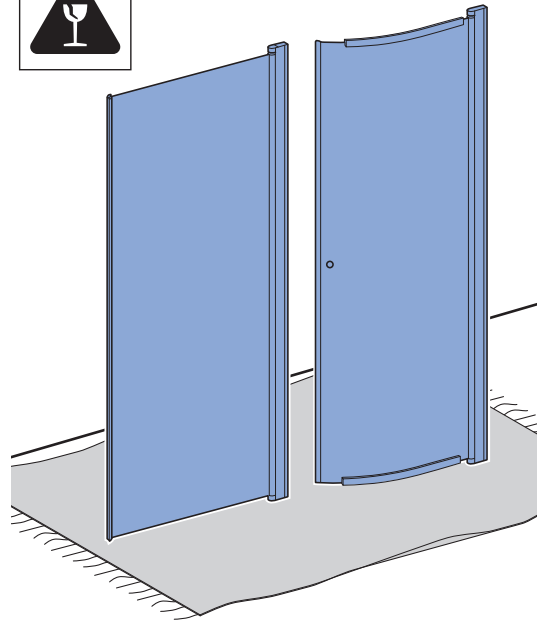
✓



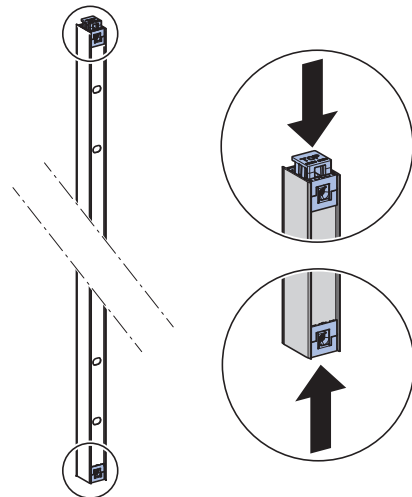
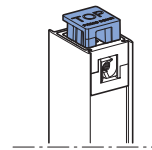
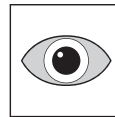
**i**



**i**

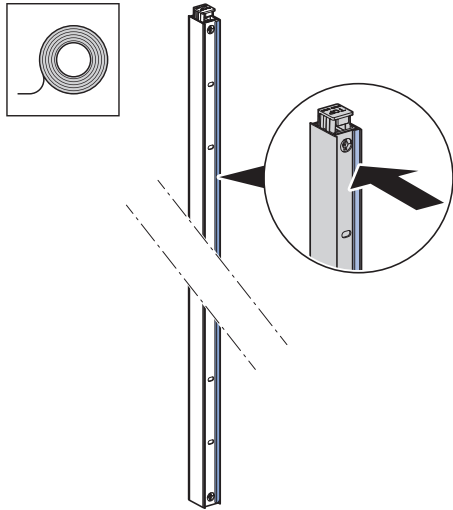


**13**

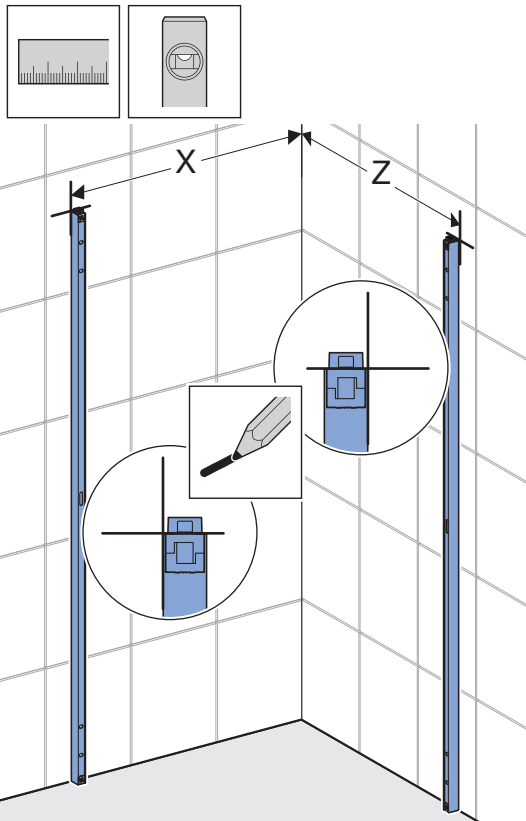




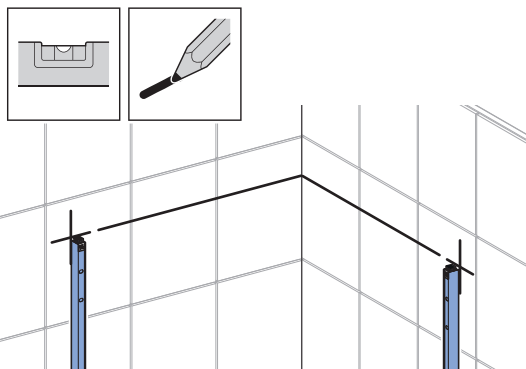
14



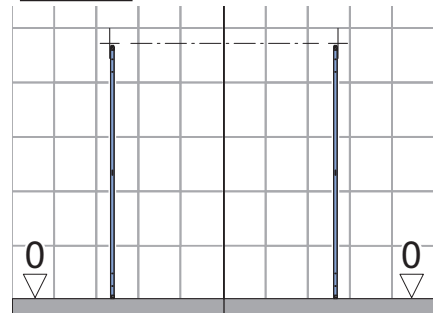
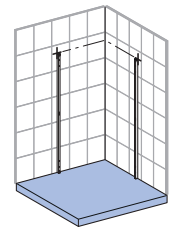
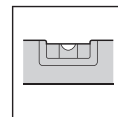
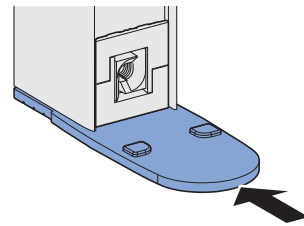
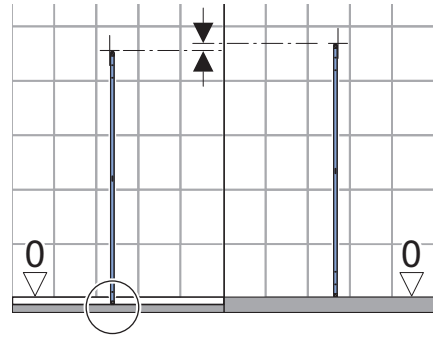
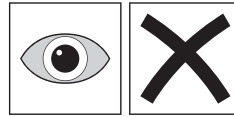
15



16

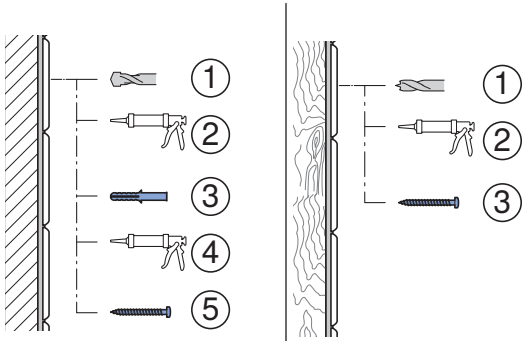


i

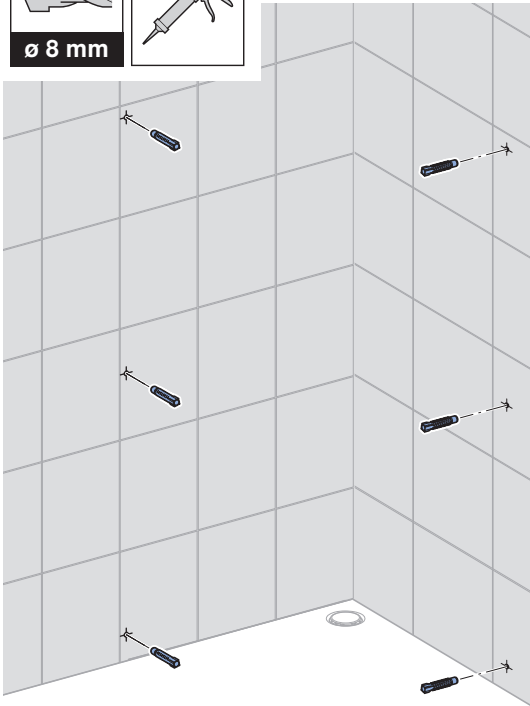
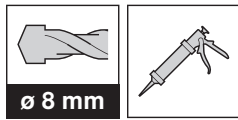




EN 15651-3: Class XS1

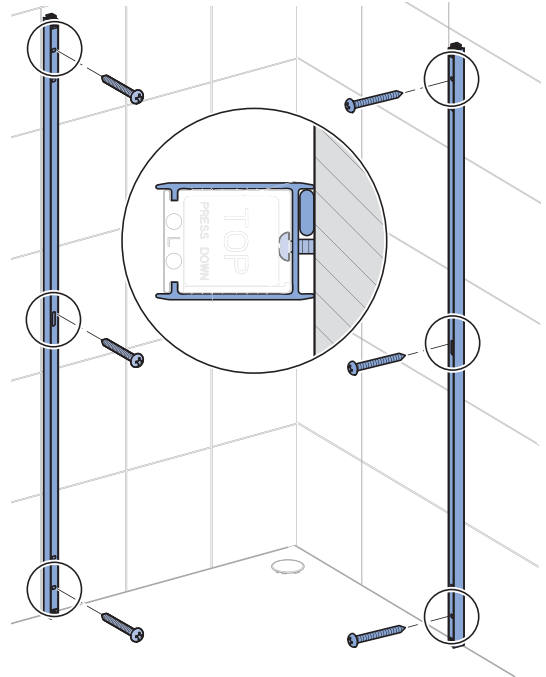
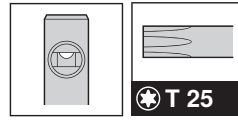


17

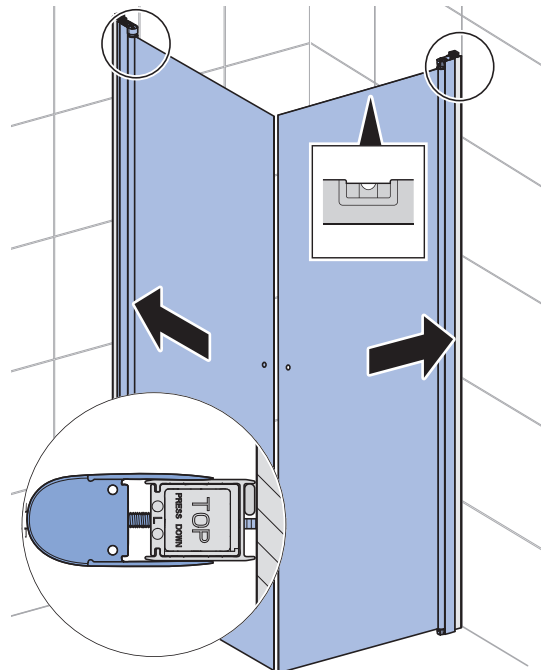


18

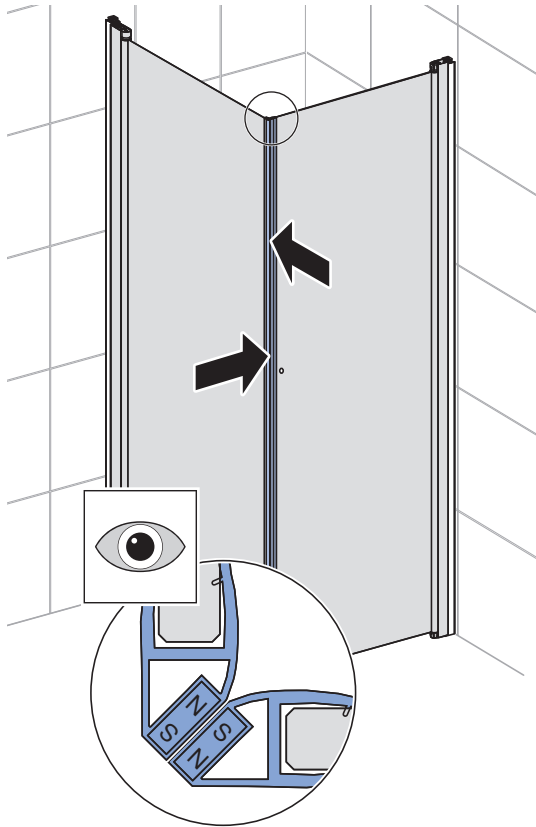
6 x  4.8 x 50 mm



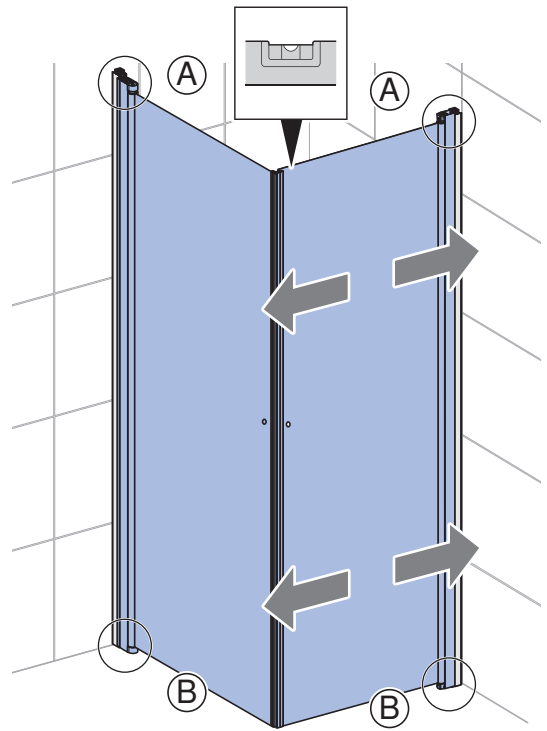
19



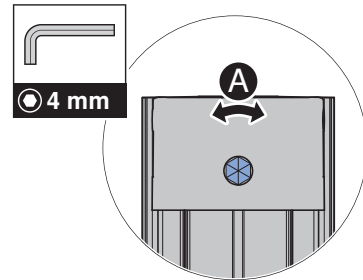
20



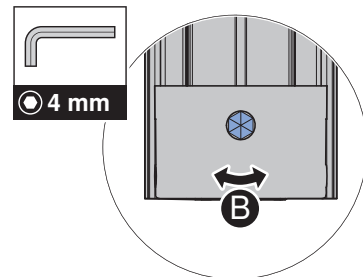
21



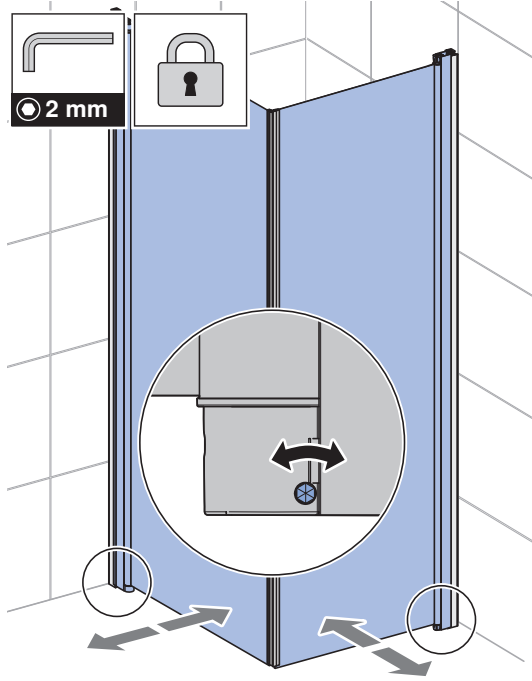
(A)



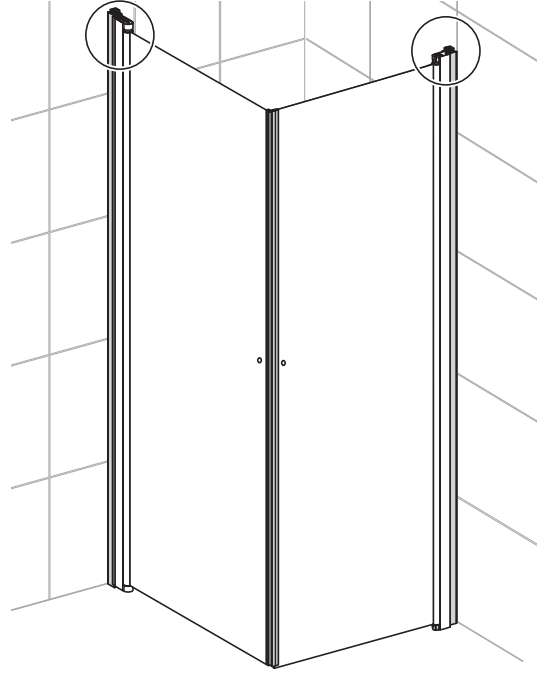
(B)



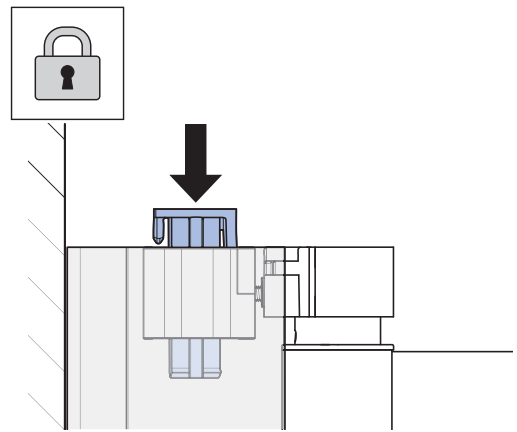
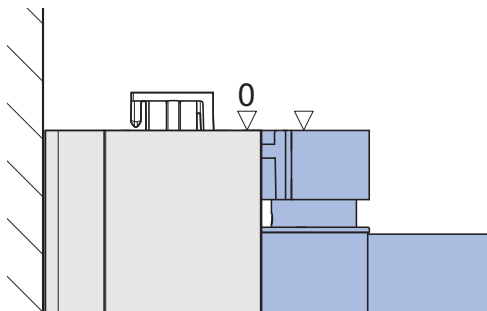
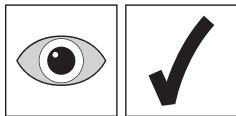
22



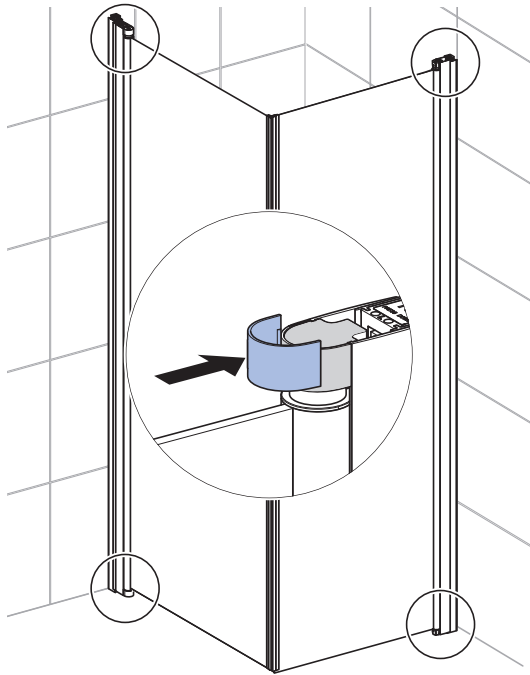
23



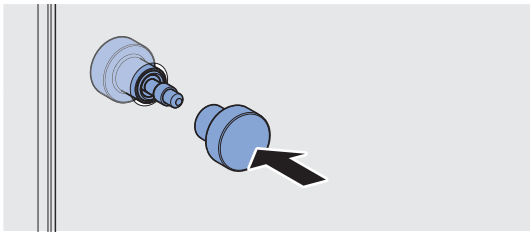
i



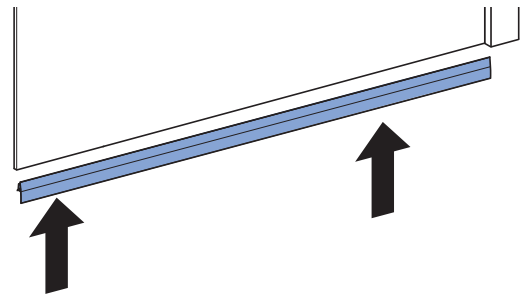
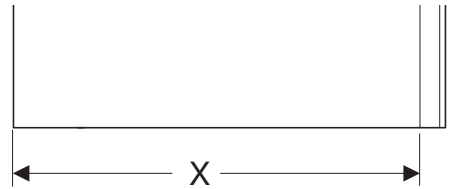
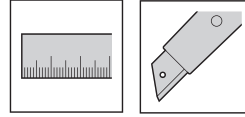
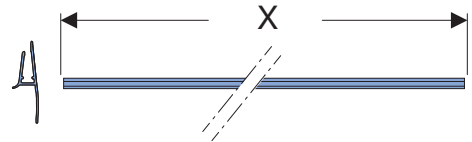
24



25

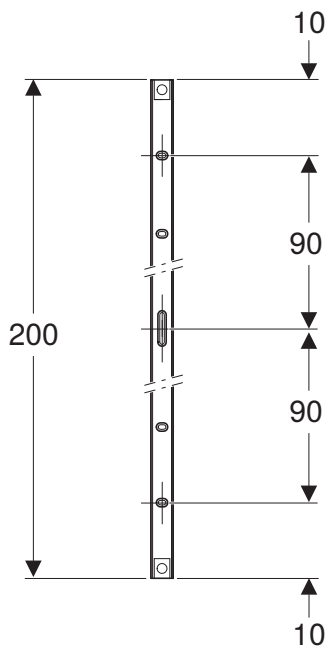
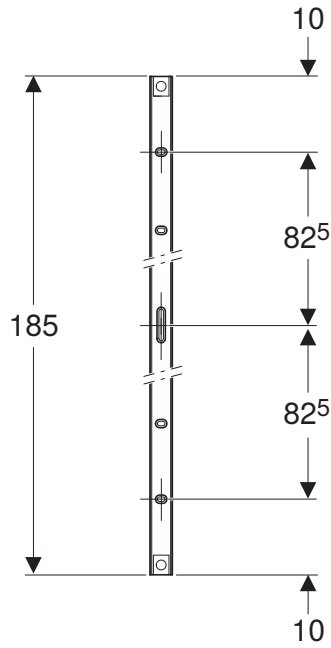
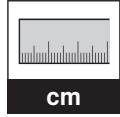


26

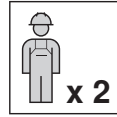


# 2 C

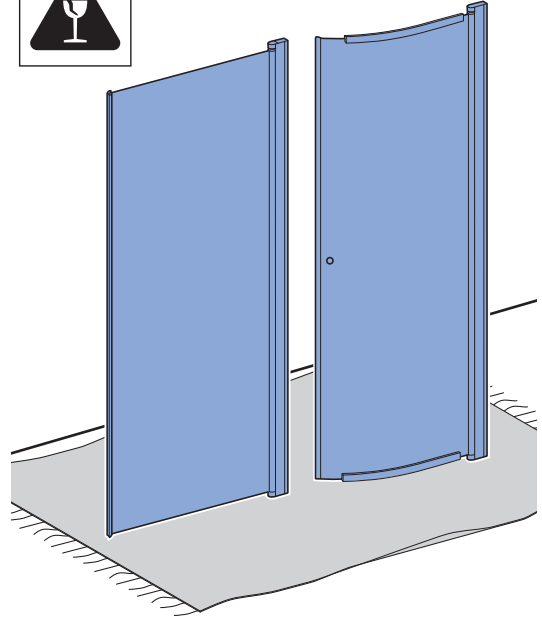
✓



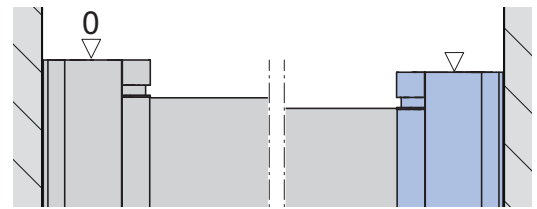
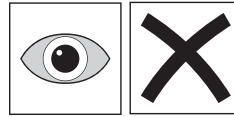
i

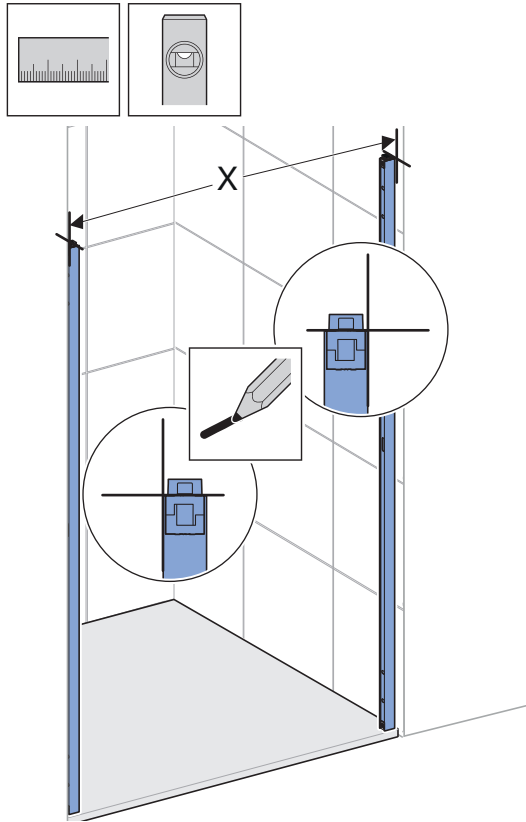


i

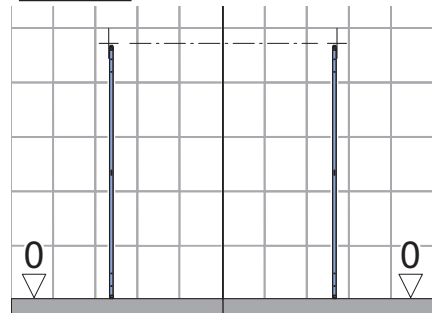
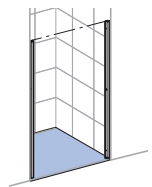
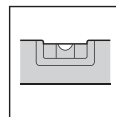
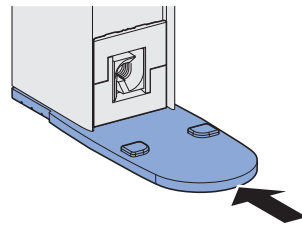
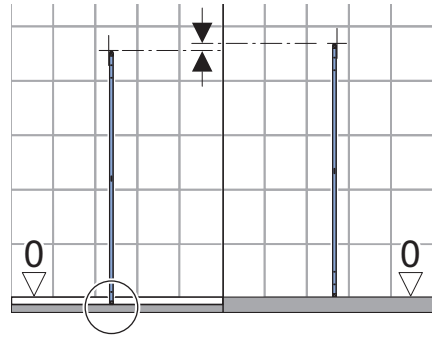
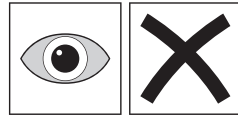


i

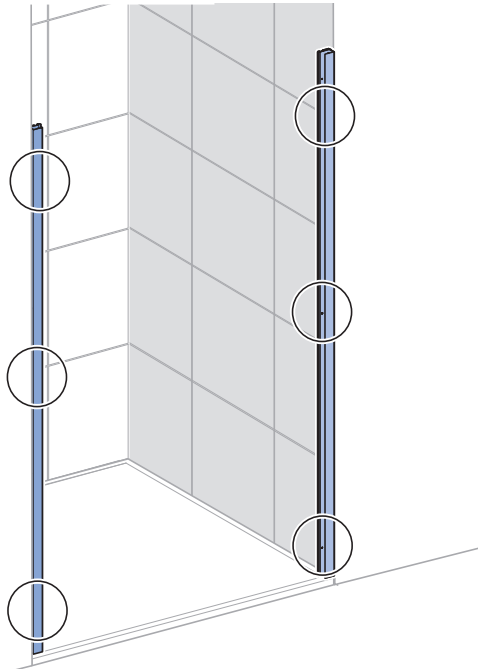
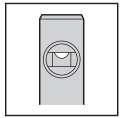




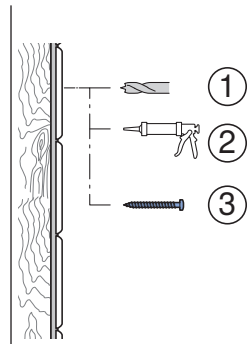
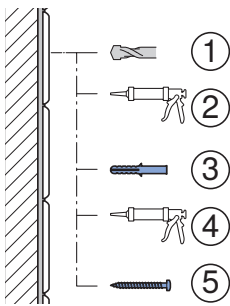
**i**



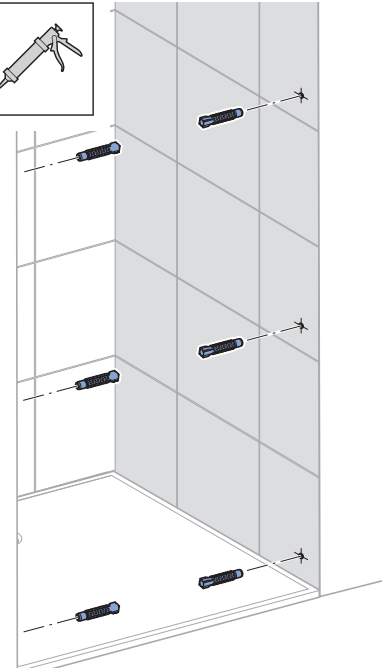
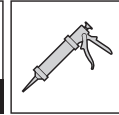
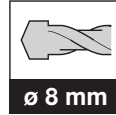
28



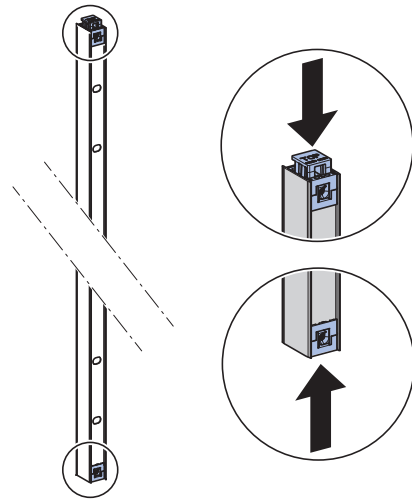
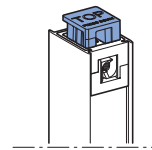
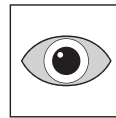
EN 15651-3: Class XS1



29

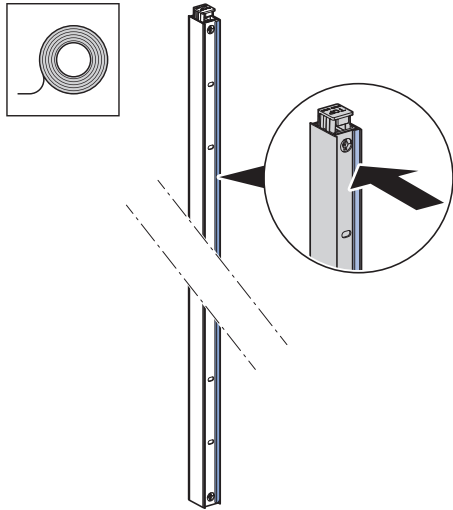


30



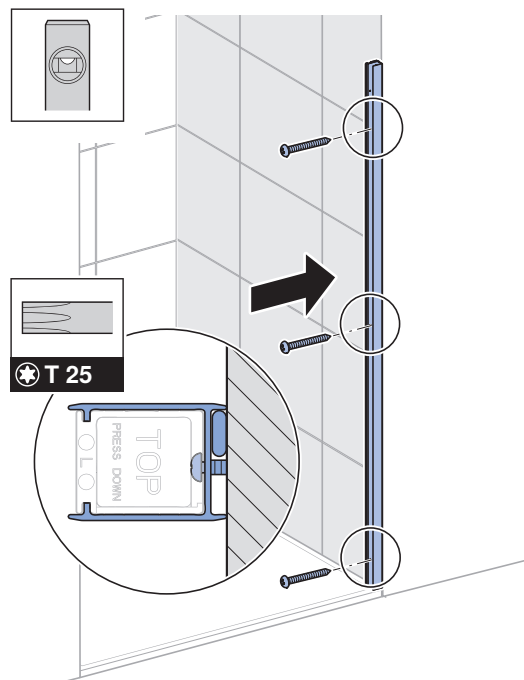


31



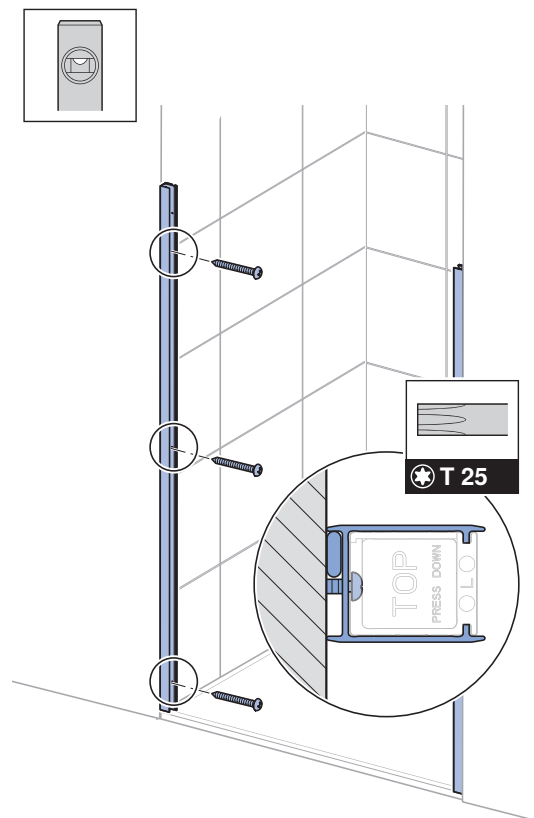
32

3 x 4,8 x 50 mm

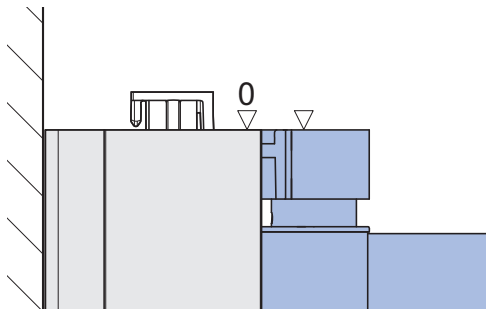
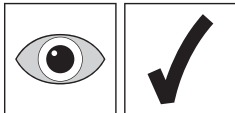
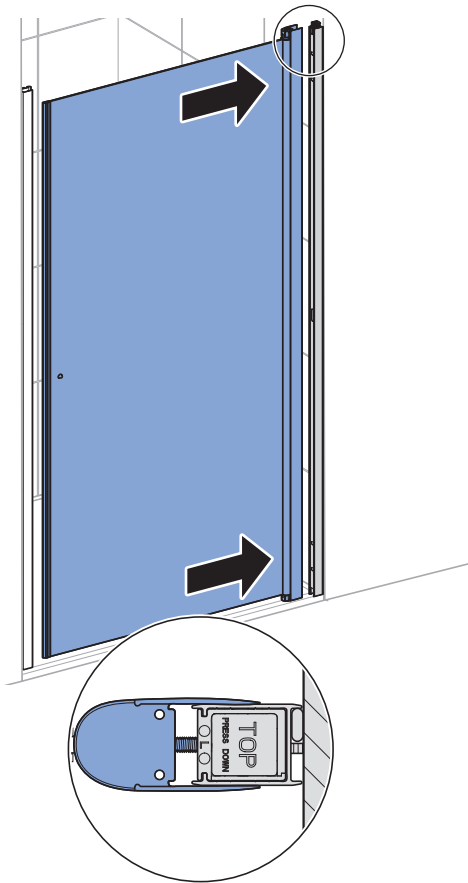


33

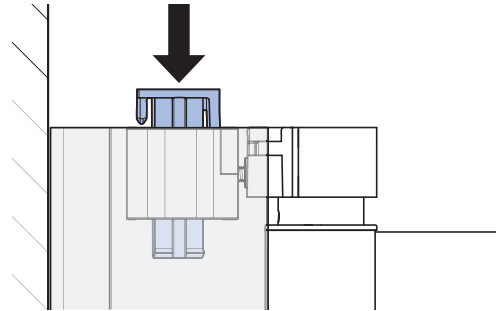
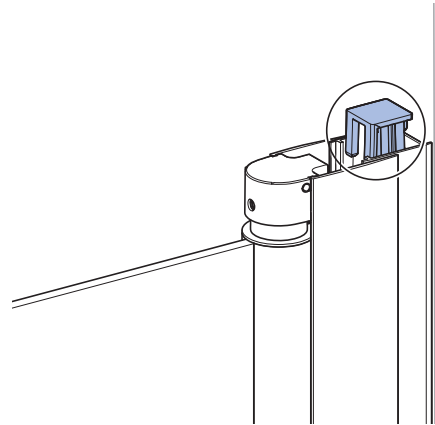
3 x 4,8 x 50 mm



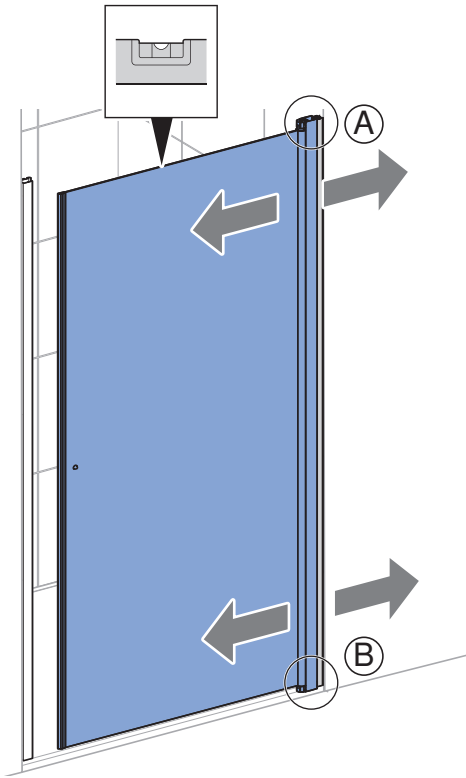
34



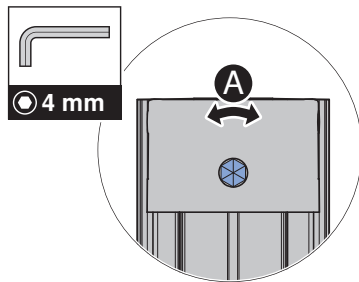
35



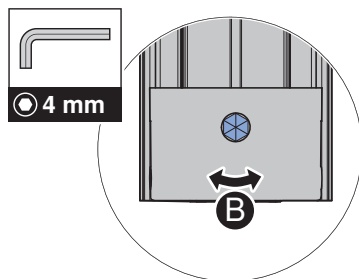
36



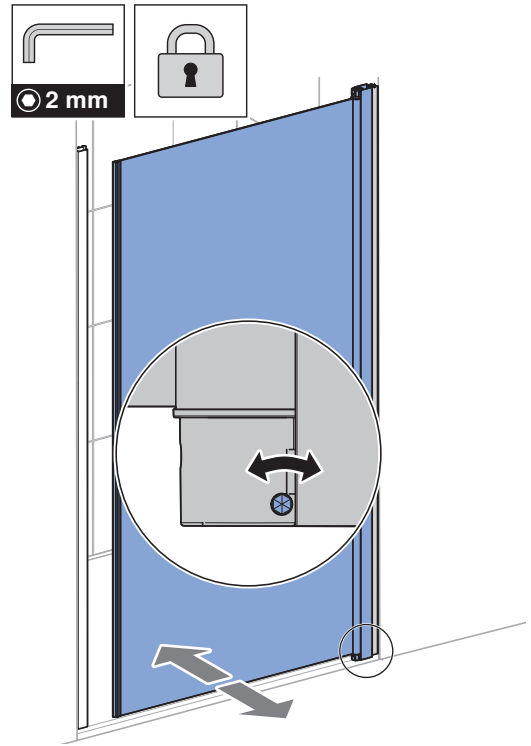
A



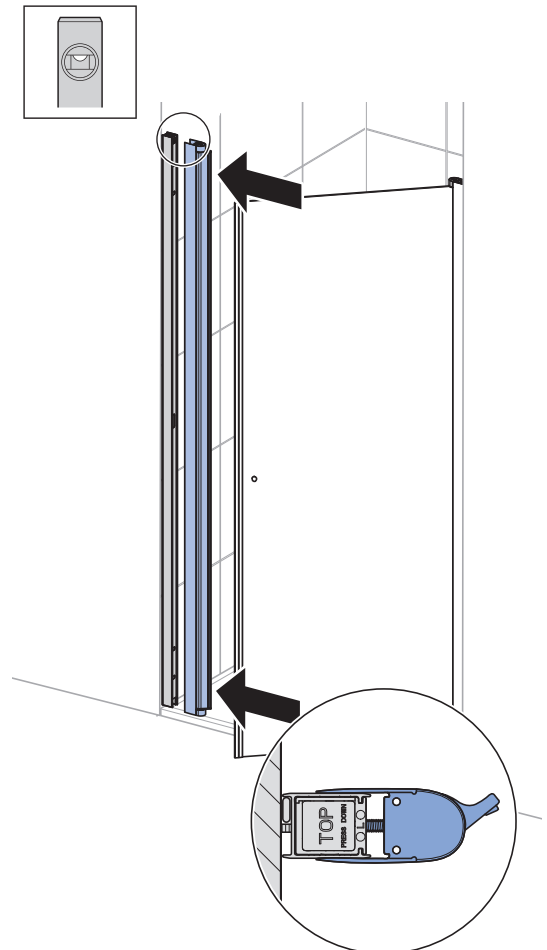
B



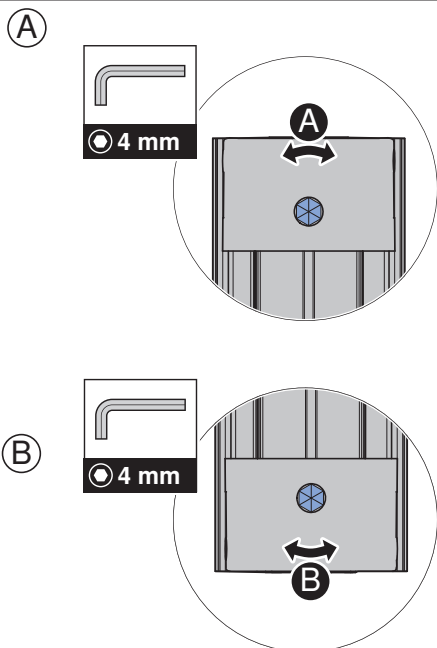
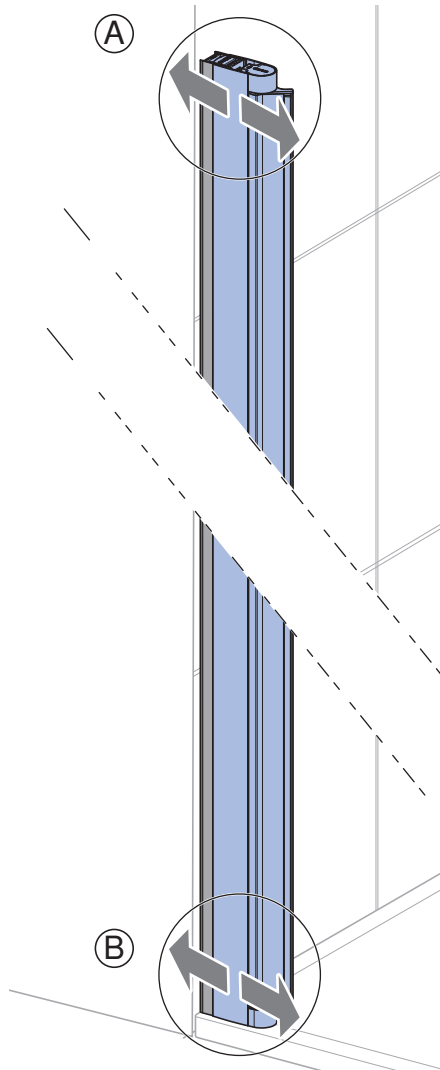
37



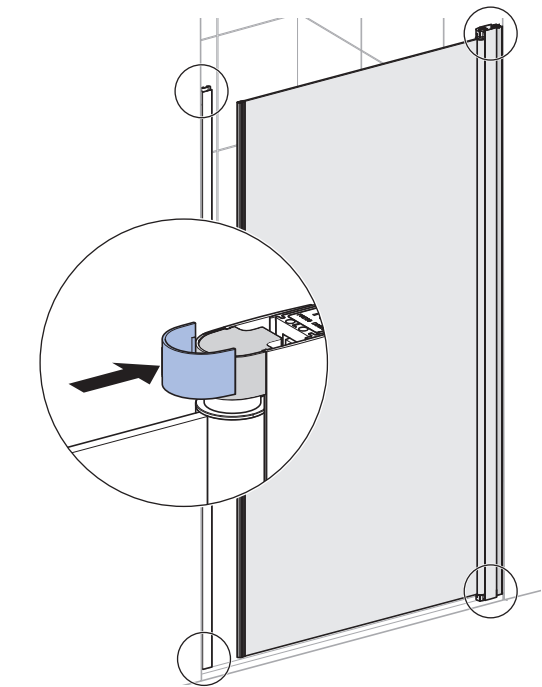
38



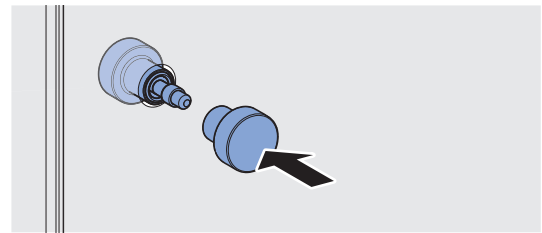
39



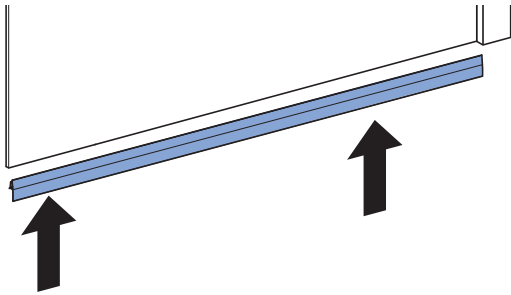
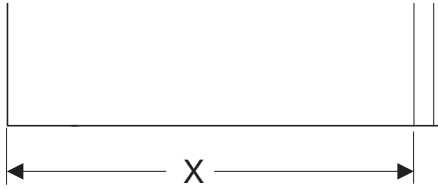
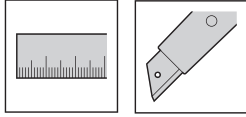
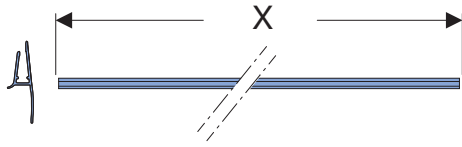
40



41

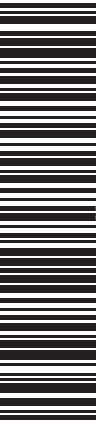


42









---

**Geberit International AG**  
**Schachenstrasse 77, CH-8645 Jona**  
**documentation@geberit.com**  
**www.geberit.com**