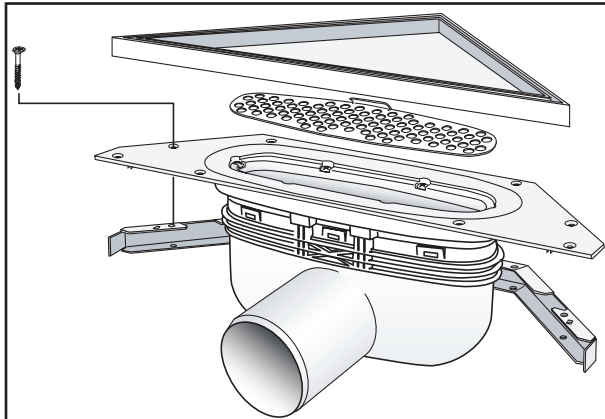


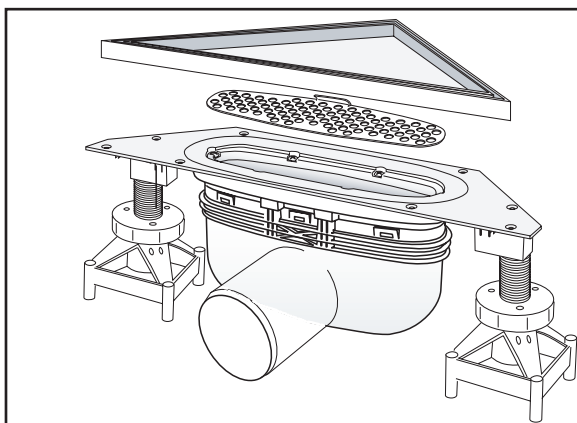
# Installation Instructions

## Purus Corner - Tile Insert

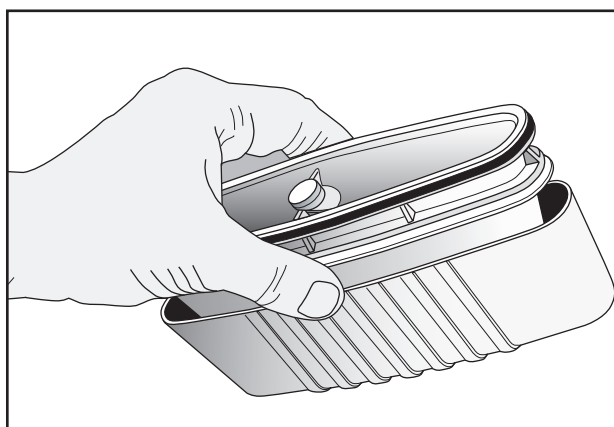
Wooden floor  
Page 3



Concrete floor  
Page 9



Cleaning and Maintenance  
Page 14



*Our ongoing product development may cause changes in the specifications. We reserve these rights.*

# PURUS

# PURUS recommends

You are allowed to install floor gullys. Contact your insurance company to find out what applies to you.

However, we recommend that the installation is done by a licensed plumbing company.

---

## Installation

The floor drain must be firmly mounted at a height that enables the seal layer to be installed properly.

**Before starting with the the sealing layer thoroughly read the waterproofing supplier's installation instructions.**

The floor drain shall be securely secured to the floor joists so that the relative motions do not occur between the drains, surface, waterproofing and flooring.

The well shall be mounted horizontally and may lean max

+ / - 2 mm. Keep the cover on the floor joist is finished. The water trap shall be mounted in the well during the installation.

In connection with the floor drain, the floor slope shall be at least 1:150 to ensure runoff, but not exceeding 1:50 in order to reduce the risk of slipping.

---

## Renovation

Existing floor gullys should normally be replaced when you renovate. Floor gullys that are manufactured up to 1991 is not approved and should always be replaced.

Document the renovation, for eventuela future needs.

# Installation Instructions Purus Corner

## For timber joist floors with clinkers and stainless TILE-type frame

### The box contains:

- 1 Floor drain.
- 2 Stainless TILE frame.
- 3 Installation frame timber joist floor (H: 28 mm).
- 4 Wood screws (12 pce.).
- 5 Stainless hair strainer.
- 6 Purus support for embedment (2 pce.).  
(not illustrated)
7. Embedment fixture with 2 screws, 4x25 mm.  
(not illustrated)

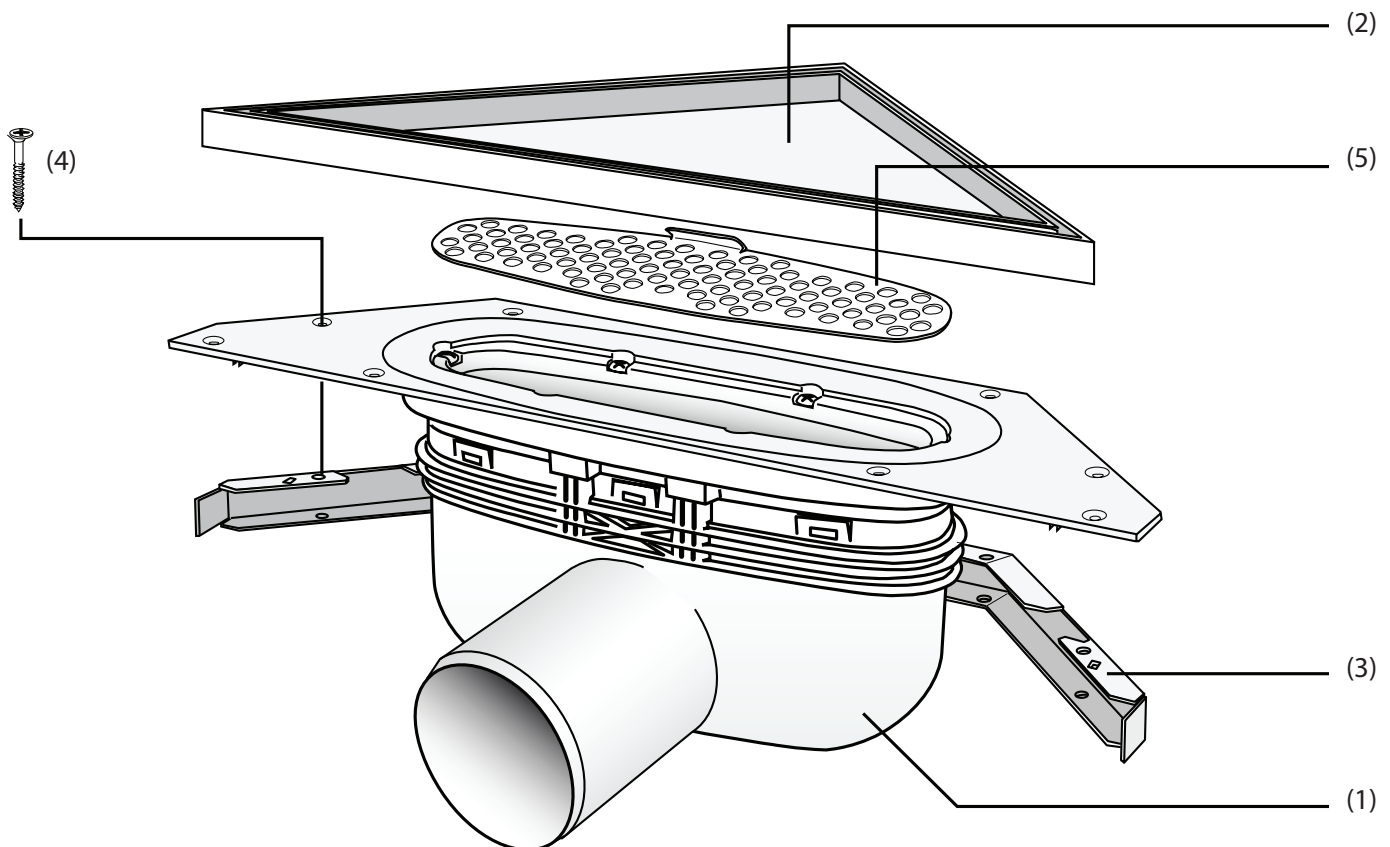
For connection with sealing membrane and ceramic floor BKR's (Swedish Board of Housing, Building & Planning) industry guidelines must be observed. For connection with plastic mat as sealing membrane, GBR's industry guidelines must be observed.

### Note:

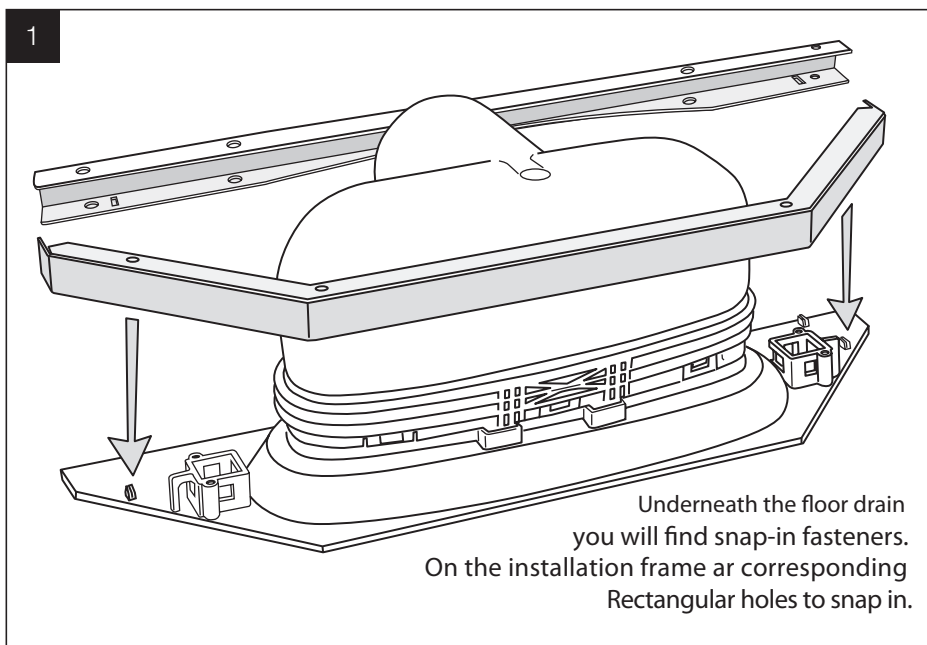
Read the installation instructions carefully before installation. For installation by authorised heating, ventilation & sanitation professional.



Our continual product development may result in changes in specifications, which we reserve the right to.

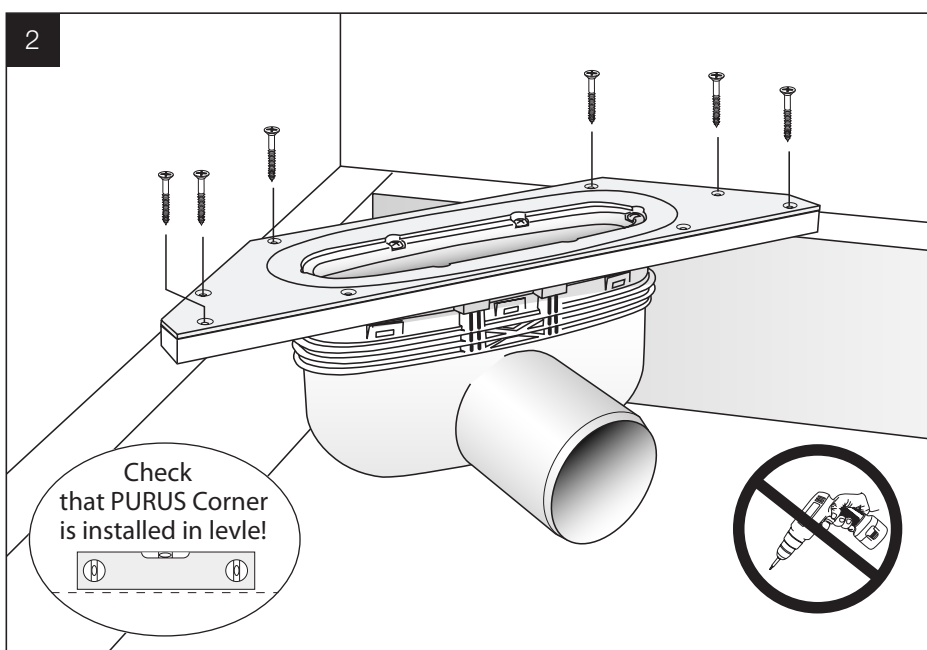
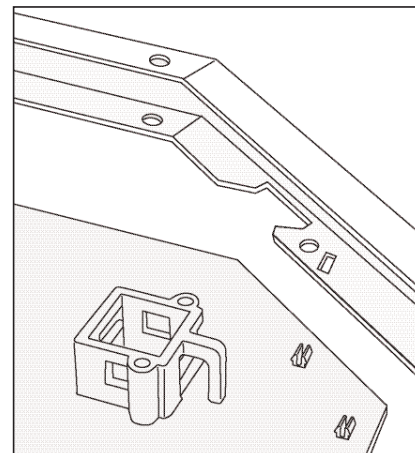


This product complies with Industry Standards Safe Water Installation [Branschregler Säker vatteninstallation]. The supplier guarantees the correct function of the product if industry standards and the product installation instructions are followed. PURUS is a member of the Swedish Tile Association and the Swedish Flooring Trade Association.



Underneath the floor drain  
you will find snap-in fasteners.  
On the installation frame ar corresponding  
Rectangular holes to snap in.

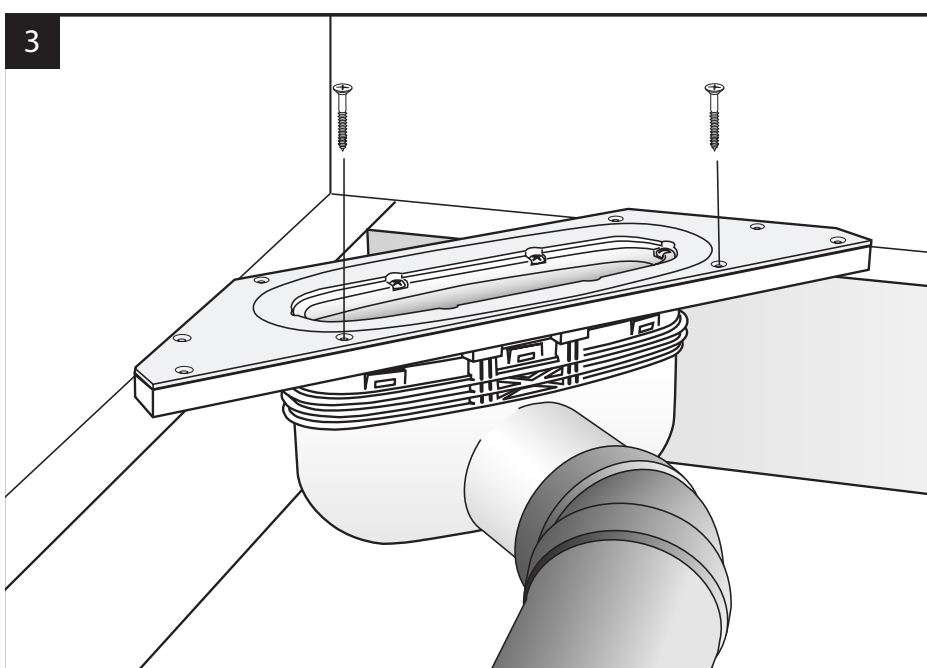
Press the two-part installation  
frame (H:35 mm) in place under  
the drain.



Screw the drain in the timber  
joist floor.

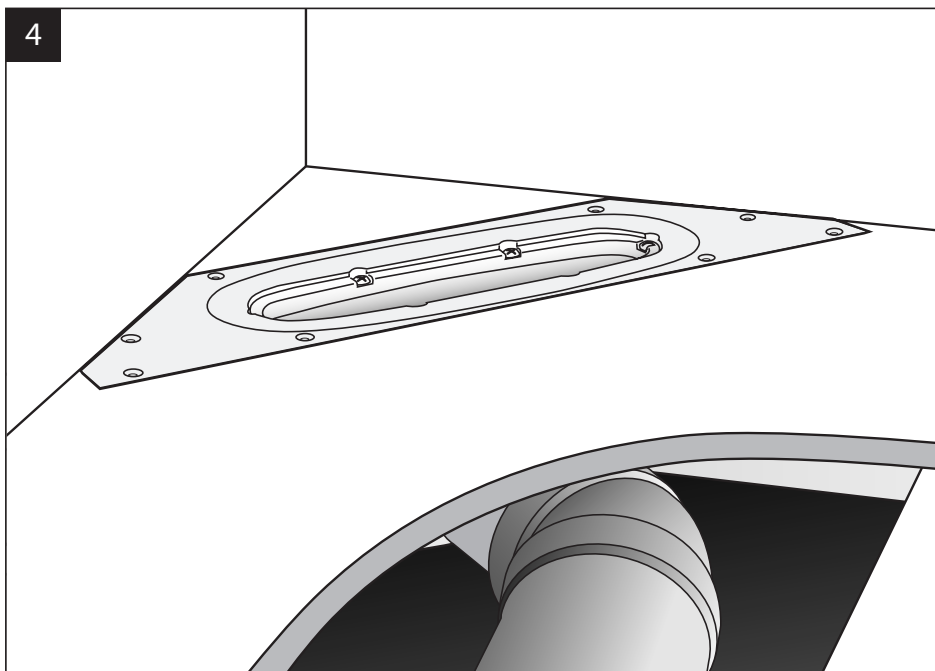
Use hand tools!

Check  
that PURUS Corner  
is installed in level!



Screw the drain to the mounting  
frame when no rules exist for  
anchoring the plastic top to the  
frame.

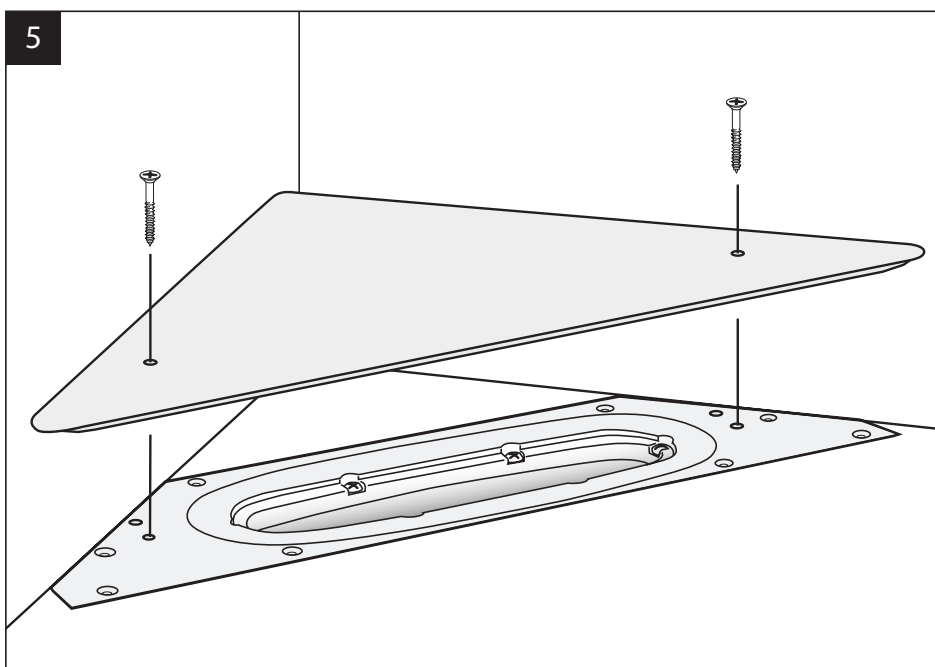
Connect the drain to the drain  
pipe.



Lay flooring particle board.

### Checklist

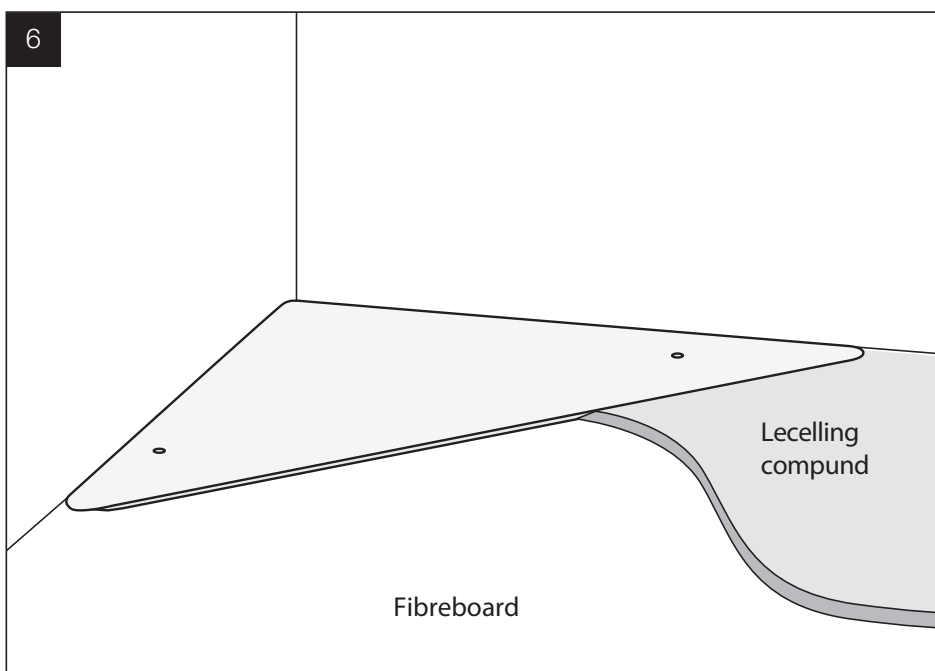
- Purus Line must be mounted level.
- Sealing membrane must be connected to Purus Line according to the sealing membrane manufacturer's instructions.



The factory supplied embedment fixture is mounted on the floor drain.

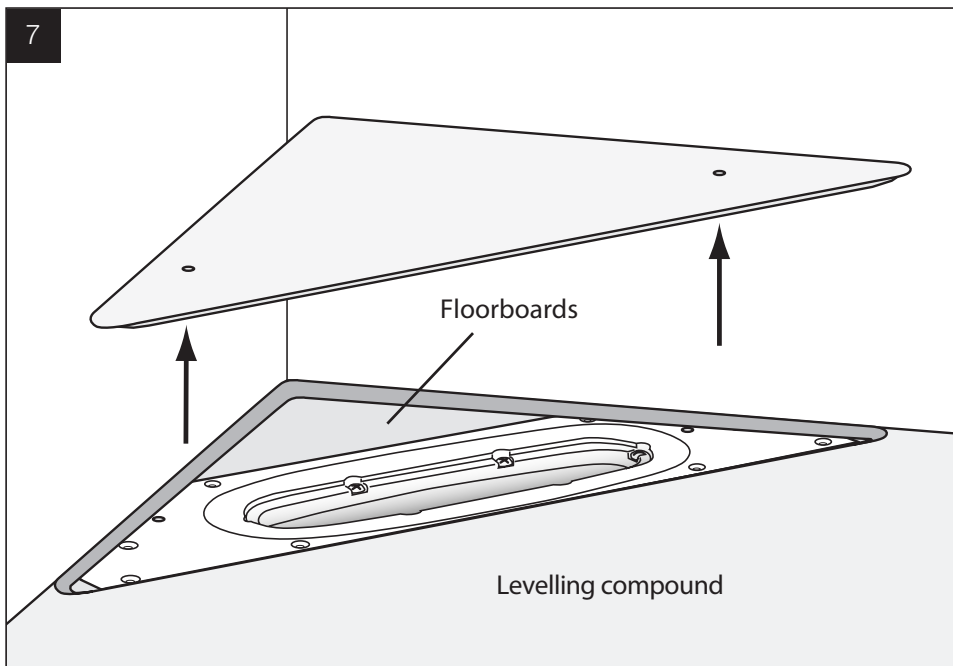
There are 2 marked holes for screws in the drain which match the hole in the fixture.

Check that the fixture covers the entire oval clamping ring.



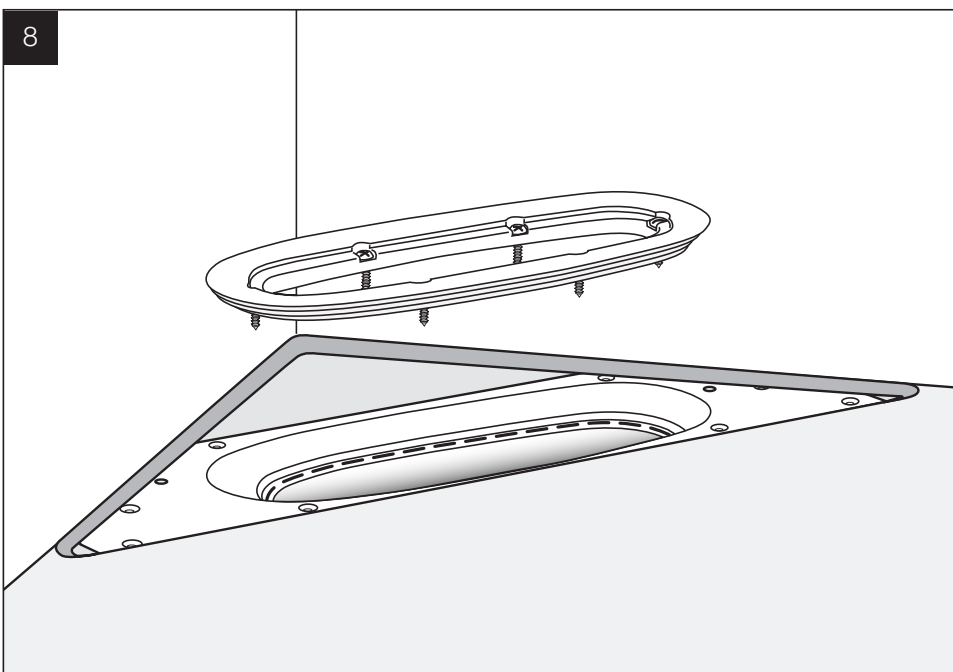
The fixture gives a compound height of 6 mm.

Pour levelling compound!

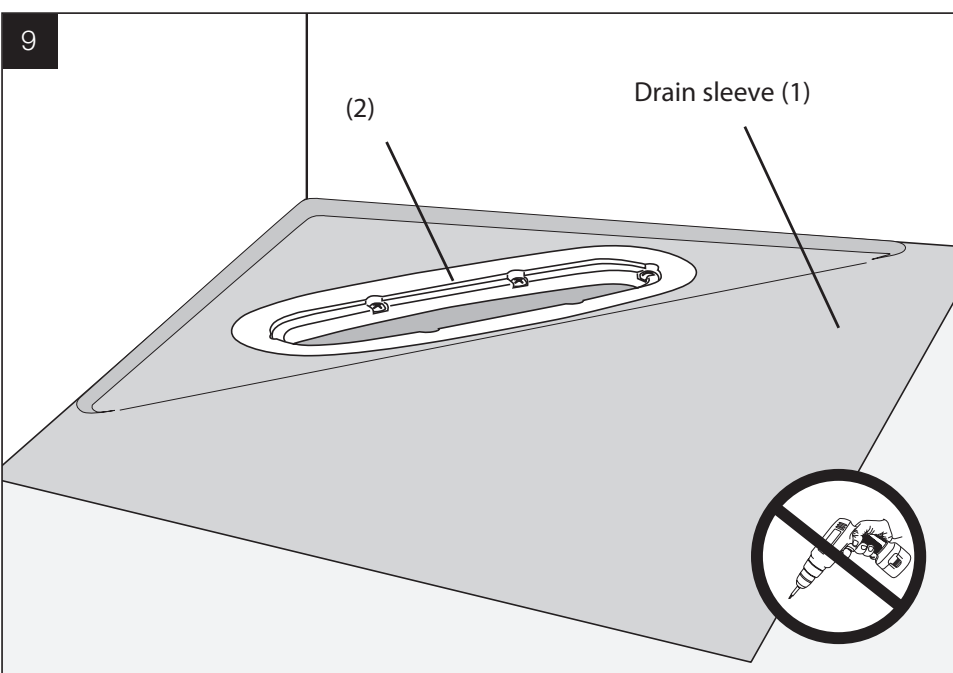


Once the levelling compound is dry, unscrew the two screws and remove the embedment fixture.

Sand down any bumps.

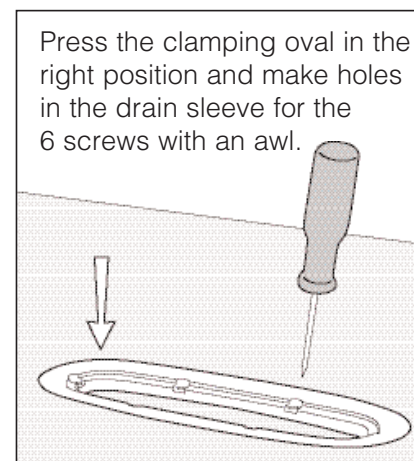


Unscrew the 6 screws from the drain and lift up the oval clamping ring.

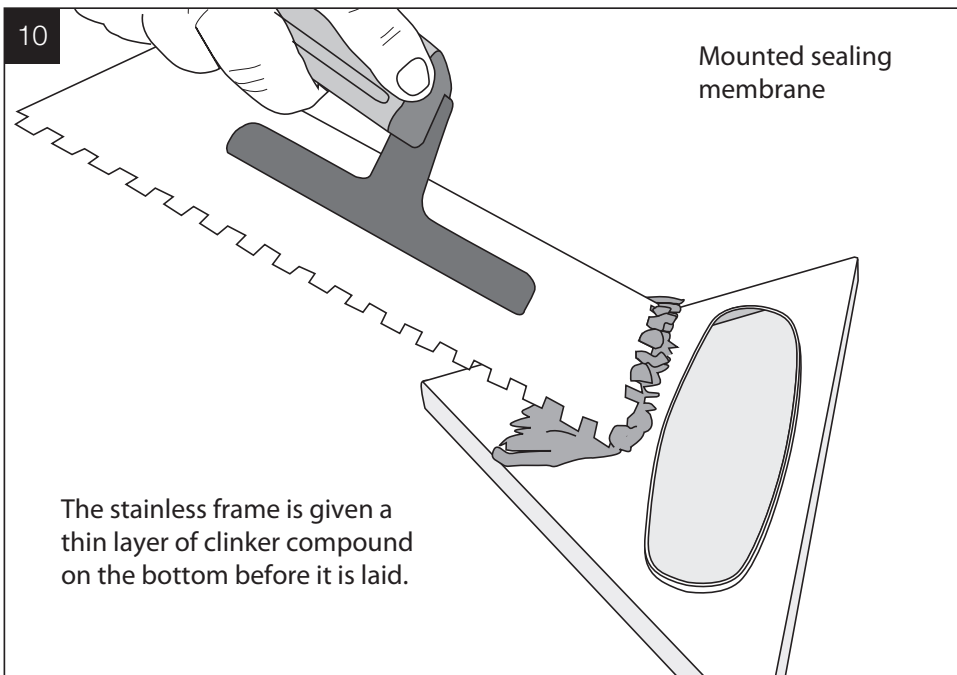


Mount the drain sleeve (1) in the groove and screw on tightly under the oval clamping ring (2).

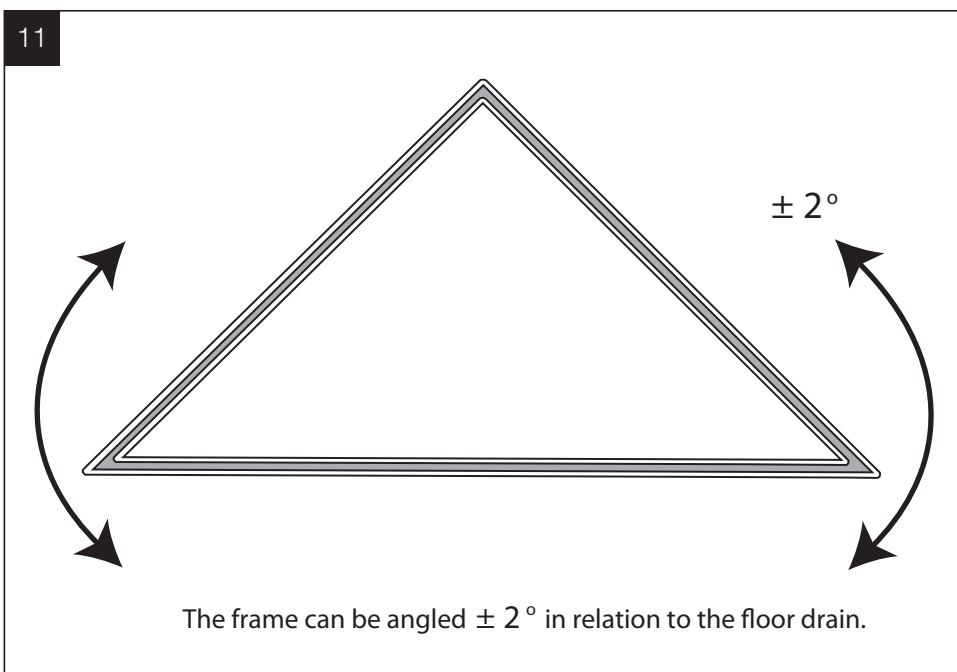
Use hand tools!



Press the clamping oval in the right position and make holes in the drain sleeve for the 6 screws with an awl.

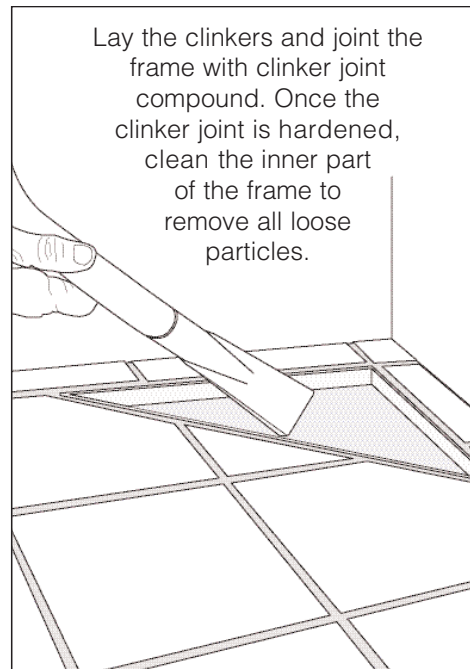
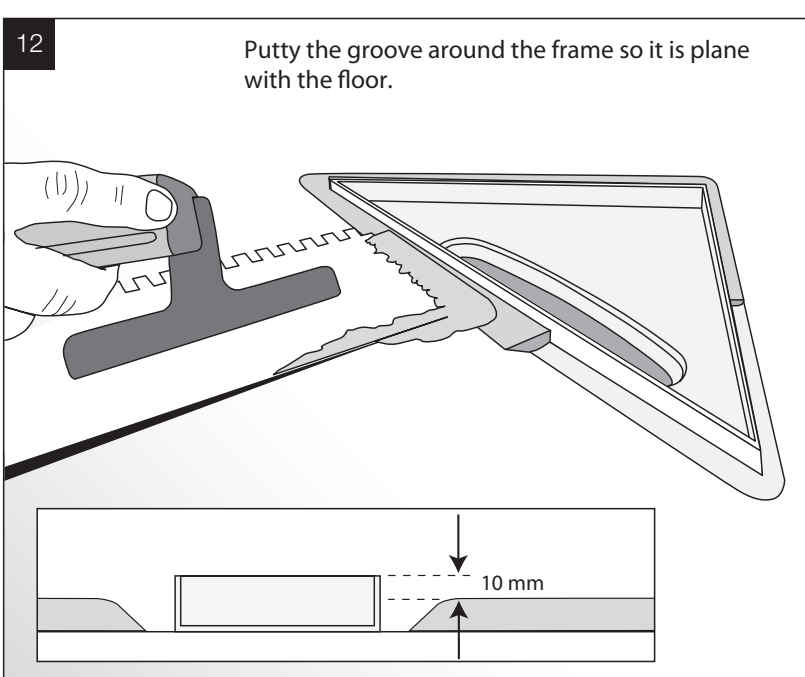


Lay the sealing membrane according to the sealing membrane manufacturer's mounting instructions.

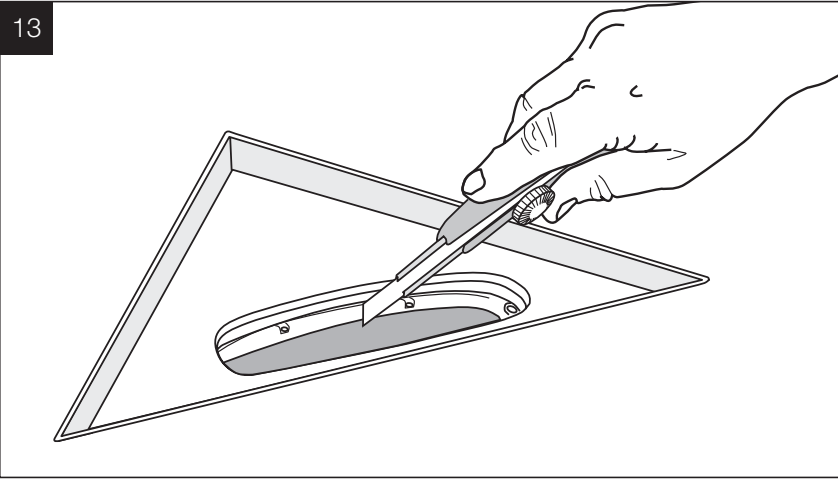


Note: Check whether it is possible to disassemble the drain trap.

Press down the frame.



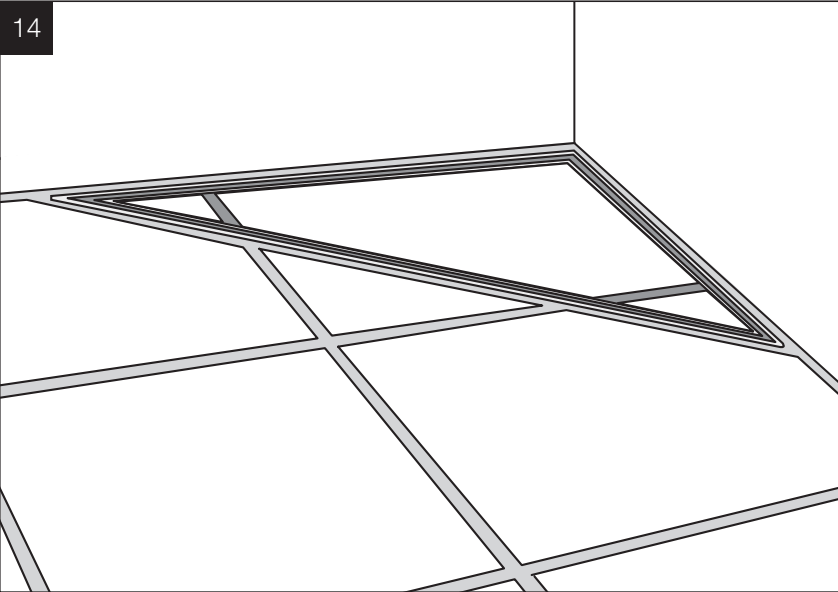
13



The drain sleeve that still covers the opening down in the drain is trimmed along the inner edge of the oval clamping ring using a sharp knife.

Check the trimming by dismounting/ mounting the drain trap insert.

14



Lay clinkers in the inner frame using compound or with appropriate glue for clinkers that attaches to stainless steel.

Place the inner frame in the groove.



# Installation Instructions Purus Corner

## Installation in concrete flooring with stainless frame/grate

### The box contains:

- 1 Floor drain.
- 2 Stainless TILE frame.
- 3 Purus support for embedment (2 pce.).
- 4 Stainless hair strainer.
- 5 Installation frame timber joist floor (H: 28 mm). (not illustrated)
- 6 Wood screws (12 pce. 4x70). (not illustrated)
- 7 Embedment fixture with 2 screws, 4x25 mm. (not illustrated)

For connection with sealing membrane and ceramic floor BKR's (Swedish Board of Housing, Building & Planning) industry guidelines must be observed.

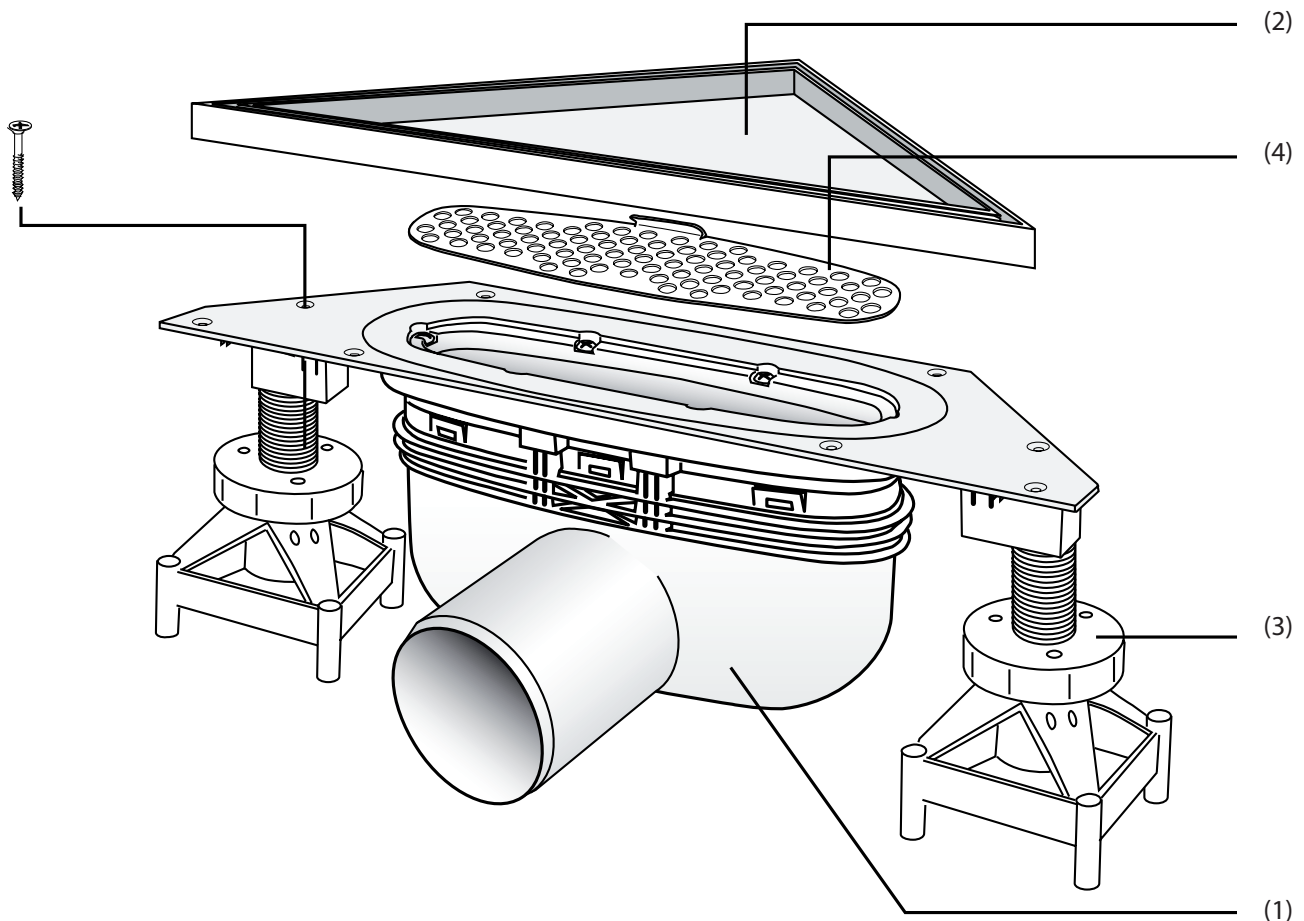
For connection with plastic mat as sealing membrane, GBR's industry guidelines must be observed.

### Note:

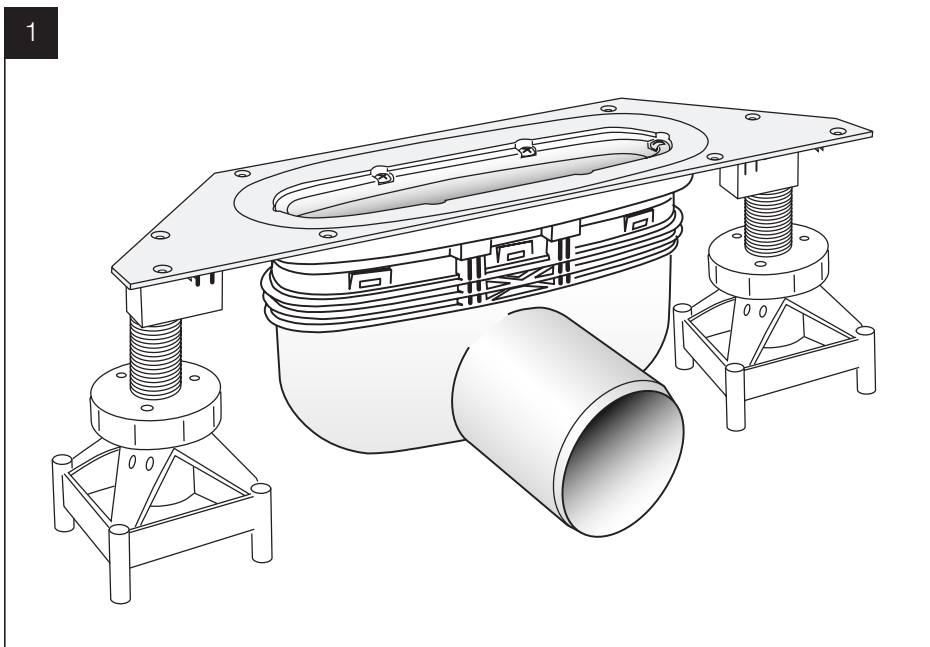
Read the installation instructions carefully before installation. For installation by authorised heating, ventilation & sanitation professional.



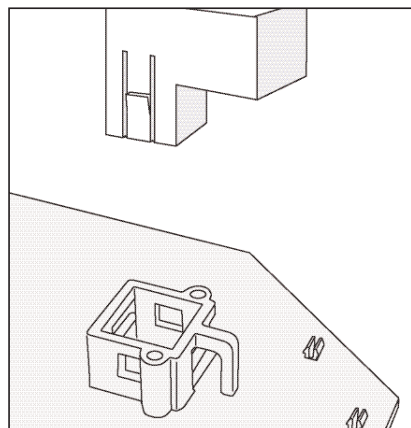
Our continual product development may result in changes in specifications, which we reserve the right to.



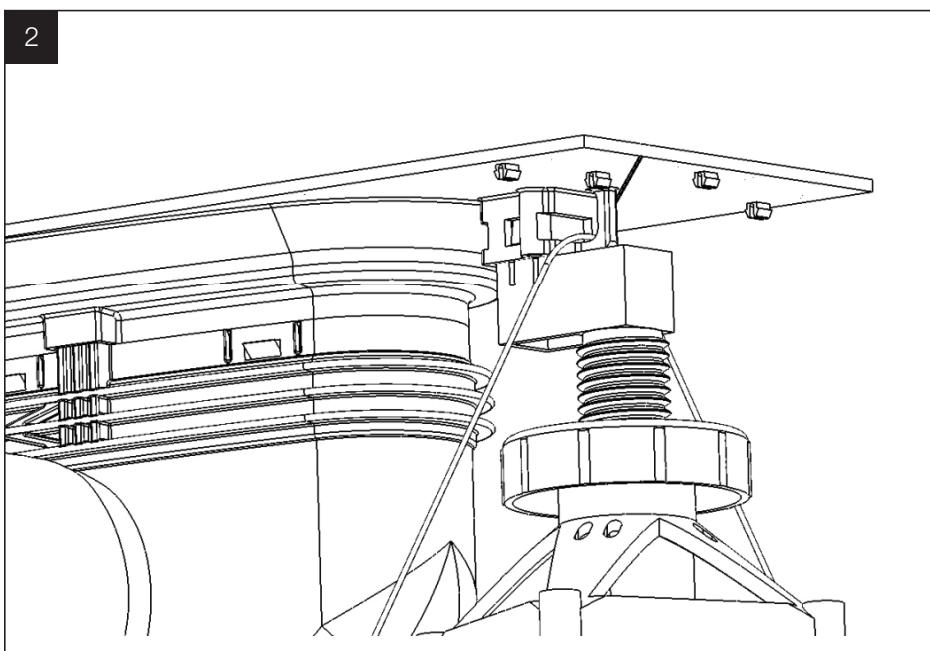
This product complies with Industry Standards Safe Water Installation [Branschregler Säker vatteninstallation]. The supplier guarantees the correct function of the product if industry standards and the product installation instructions are followed. PURUS is a member of the Swedish Tile Association and the Swedish Flooring Trade Association.



Press the Purus support in place under the drain.



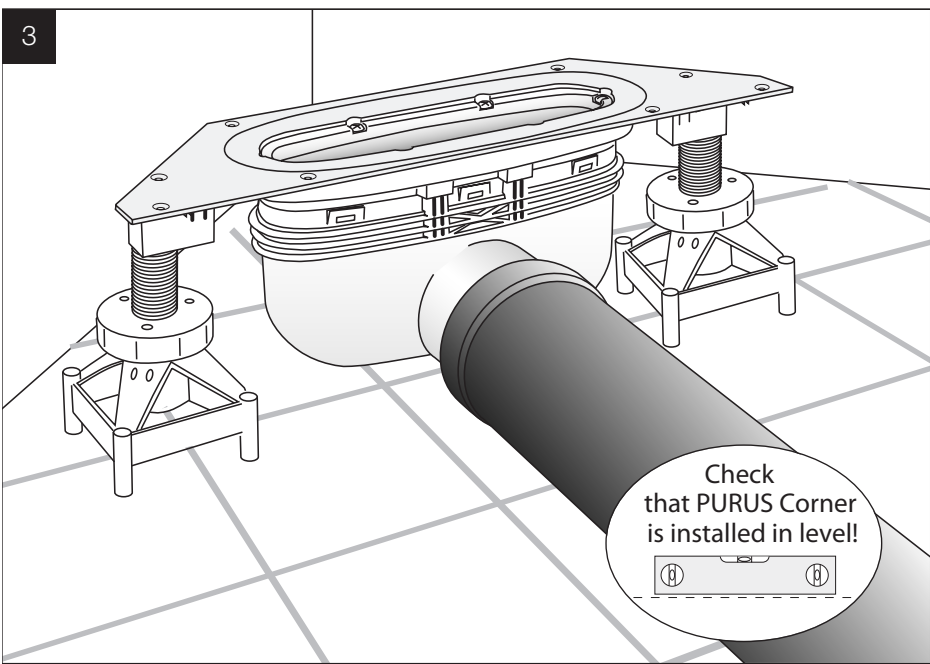
Underneath the floor drain are snap-on fasteners for Purus supports. Install them and adjust to the desired height.



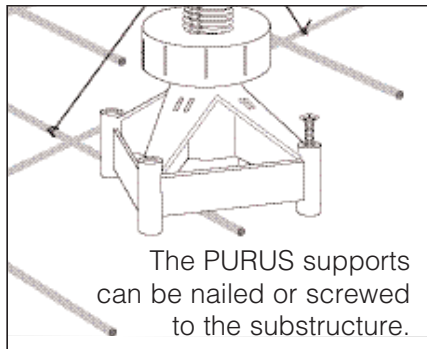
Make room for the drain in the desired location.

**PLACEMENT**

The drain can be directly adjacent to the wall, but we recommend that the drain be installed at a distance of 50 mm from the wall. This allows you to mount a narrow strip with floor tiles between the wall and drain, with grade from wall. This reduces the load on the floor's sealing membrane.



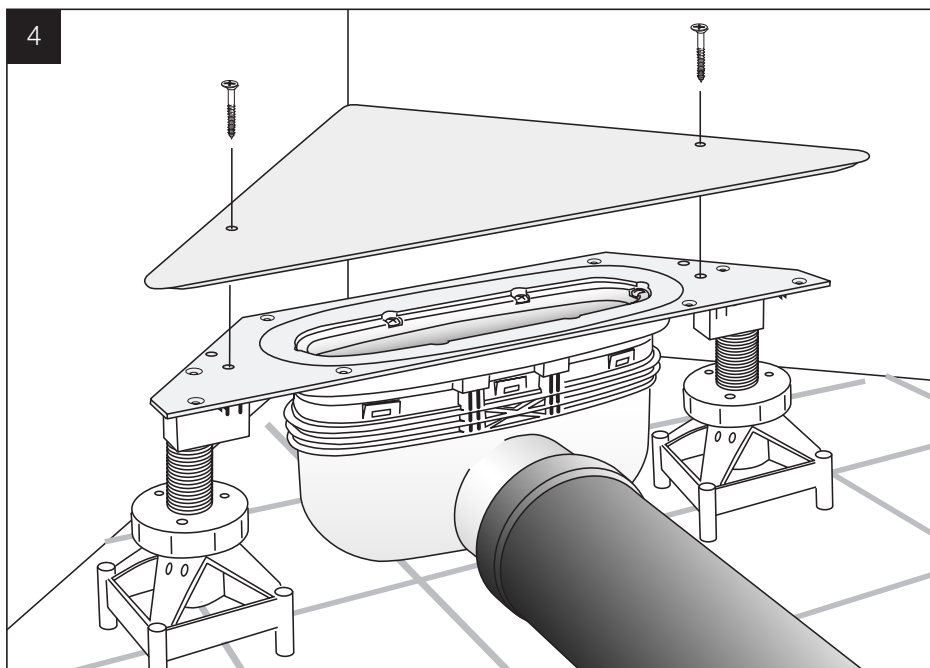
Check that PURUS Corner is installed in level!



The PURUS supports can be nailed or screwed to the substructure.

Upper side drain = finished concrete floor

Connect to drainage system.

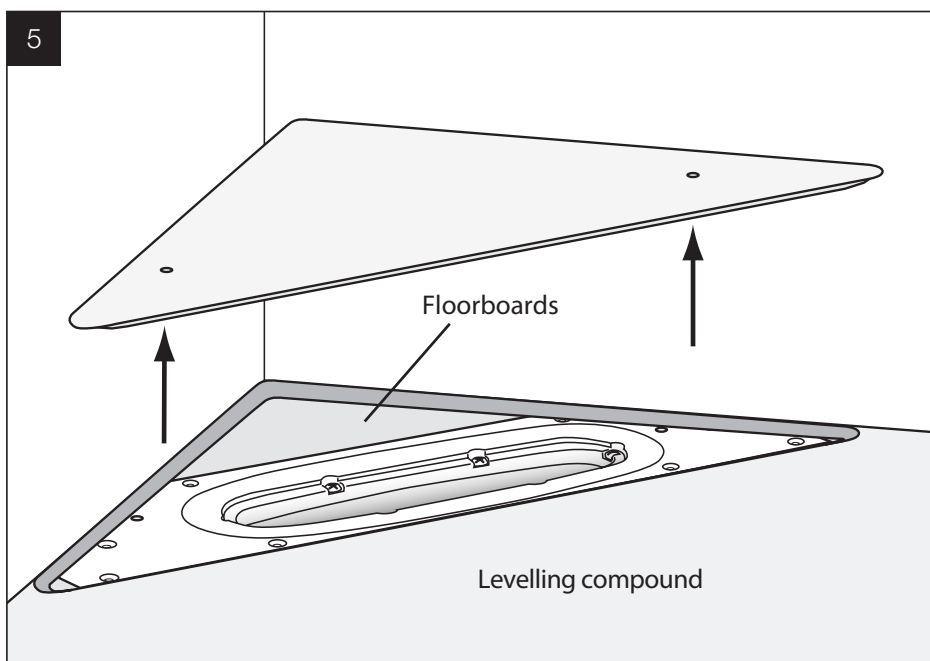
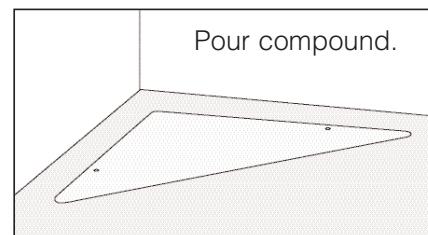


The factory supplied embedment fixture is mounted on the floor drain.

There are 2 marked holes for screws in the drain which match the hole in the fixture.

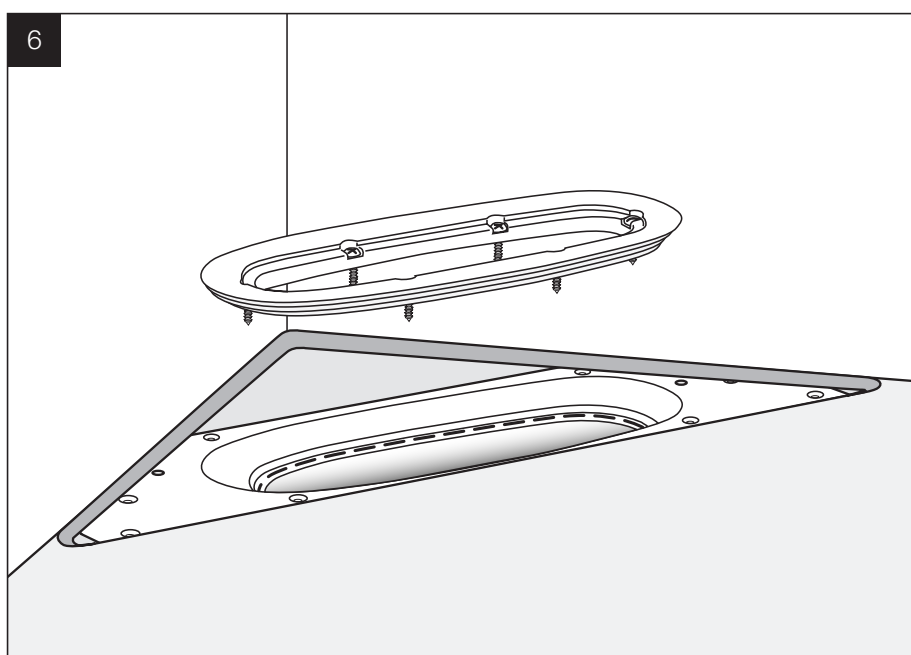
Check that the fixture covers the entire oval clamping ring.

The floor is ready for pouring.

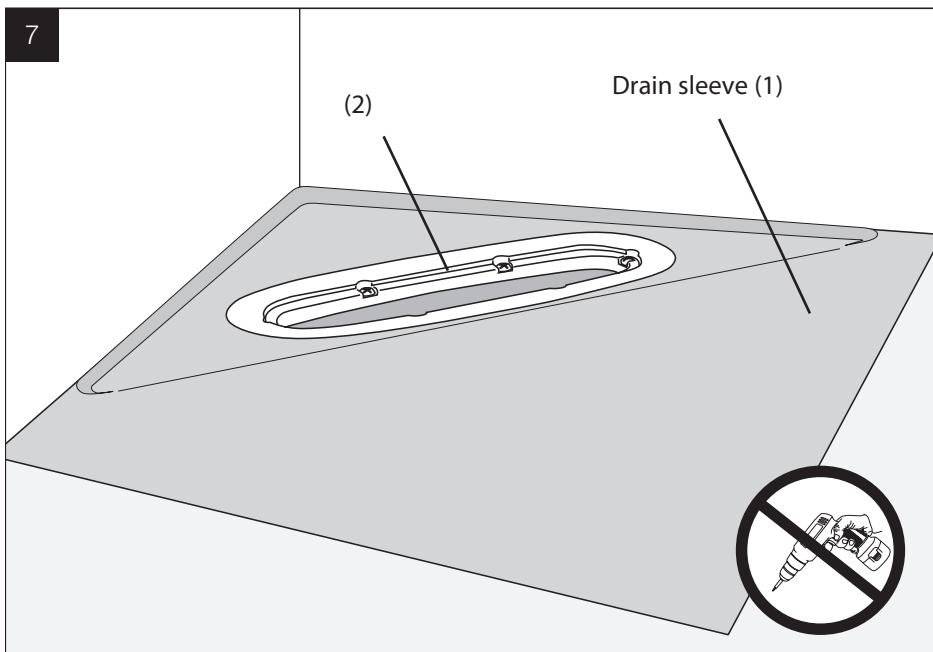


Once the concrete is dry, unscrew the two screws and remove the embedment fixture.

Sand down any bumps.

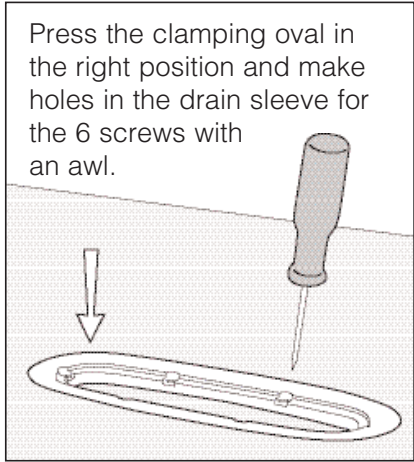


Unscrew the 6 screws from the drain and lift up the oval clamping ring.

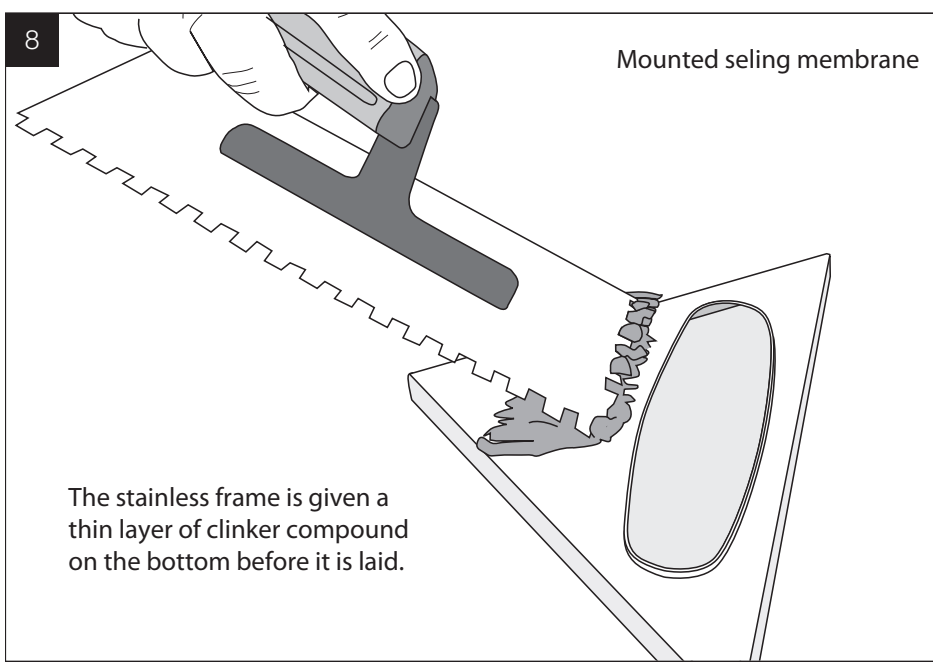


Mount the drain sleeve (1) in the groove and screw on tightly under the oval clamping ring (2).

Use hand tools!

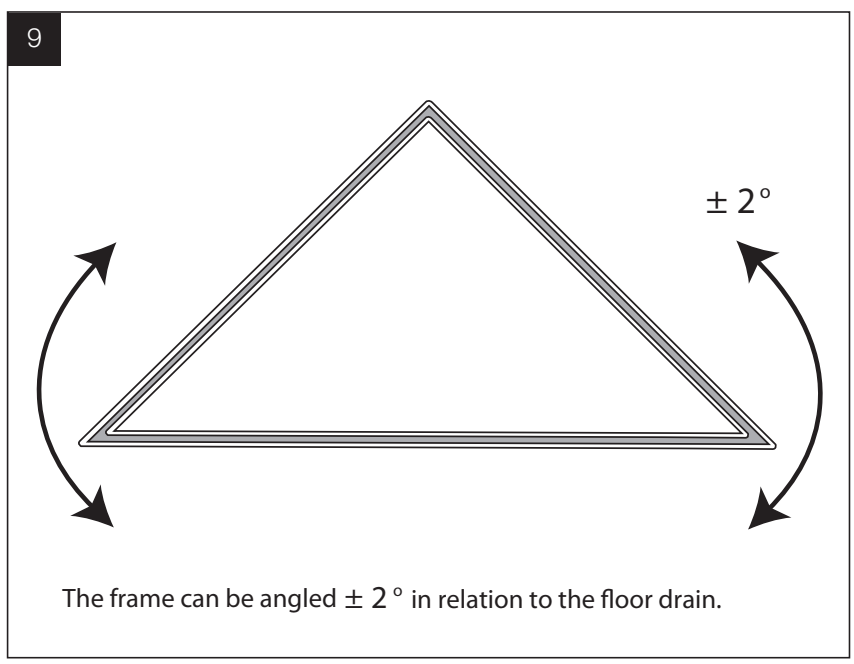


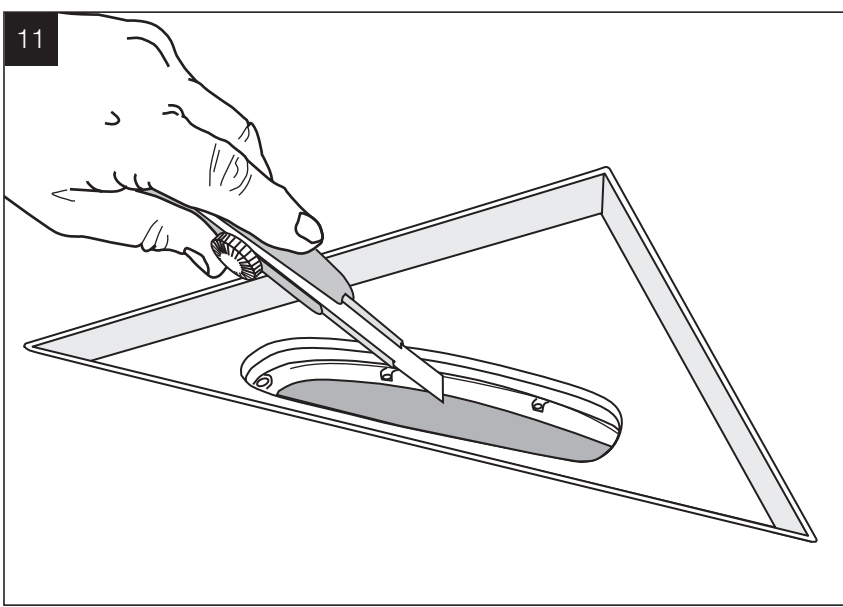
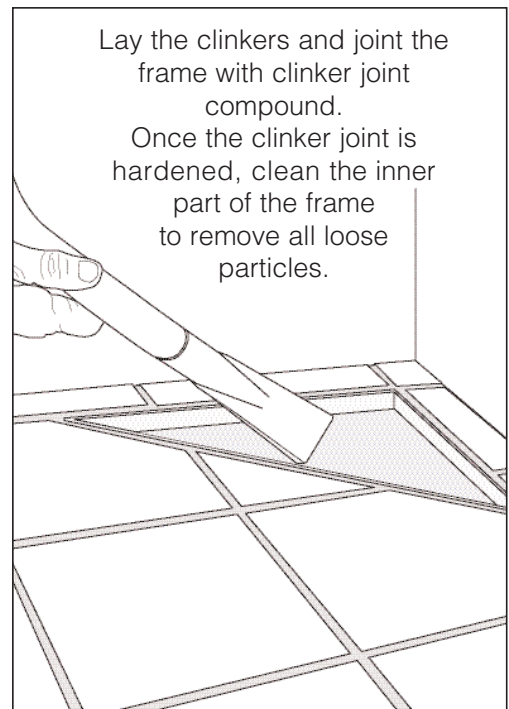
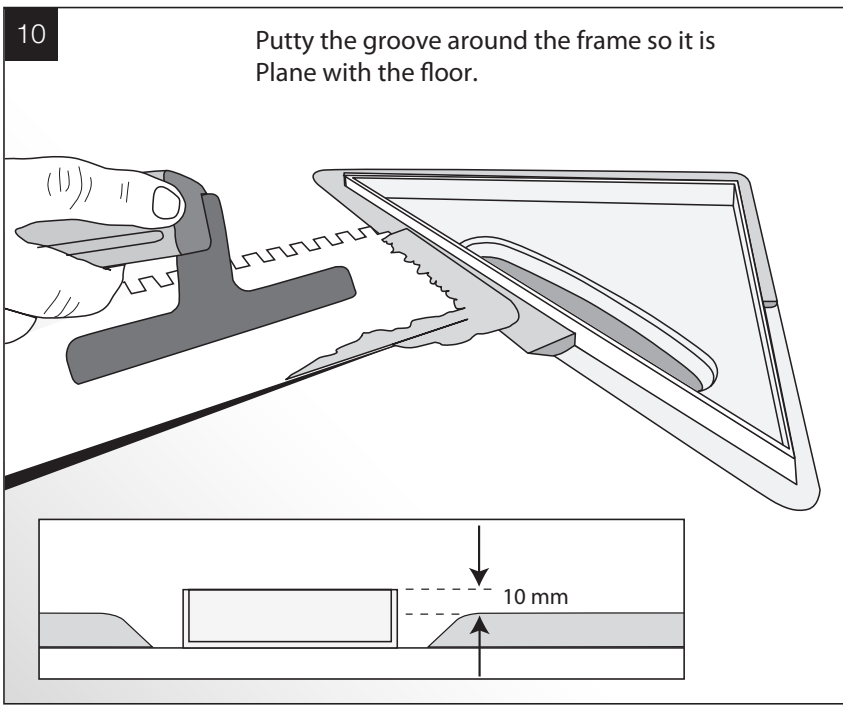
Lay the sealing membrane according to the sealing membrane manufacturer's mounting instructions.



Note: Check whether it is possible to disassemble the drain trap.

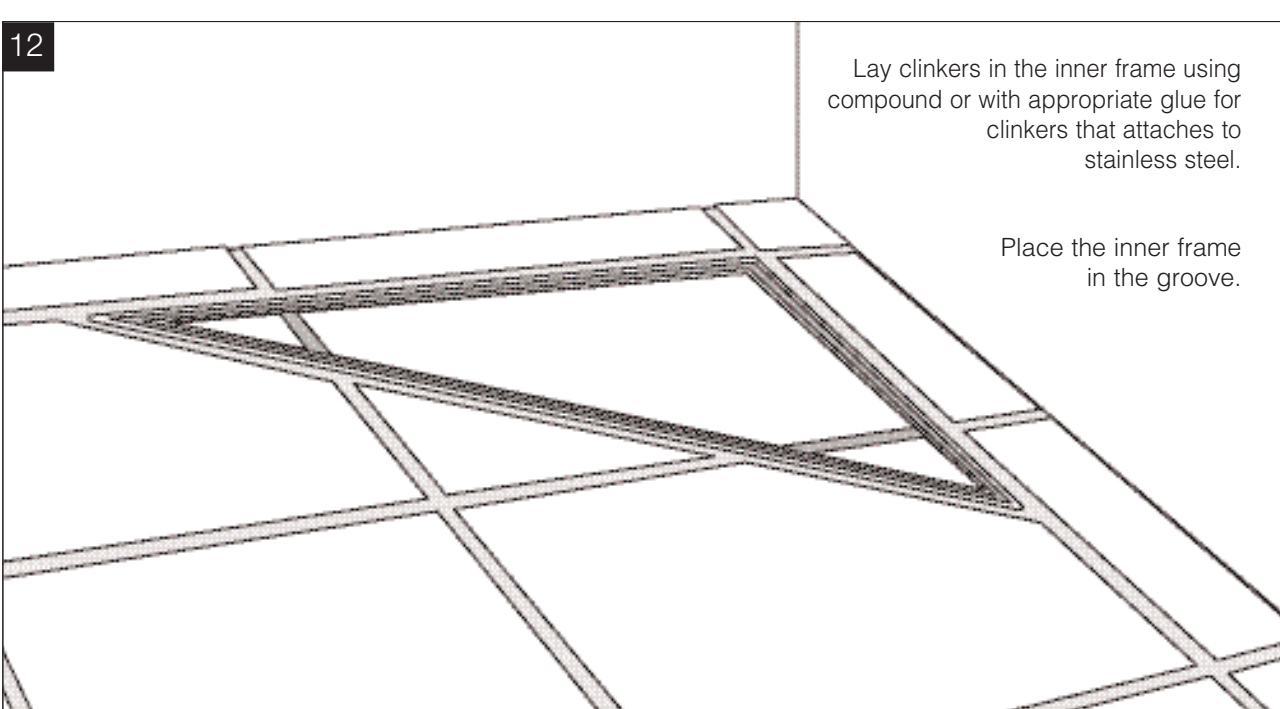
Press down the frame.



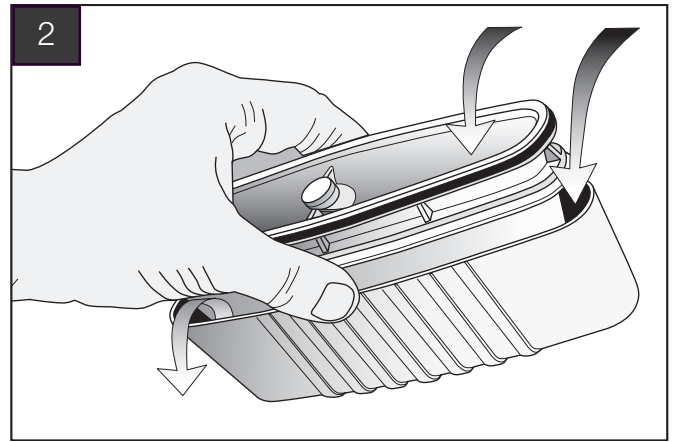
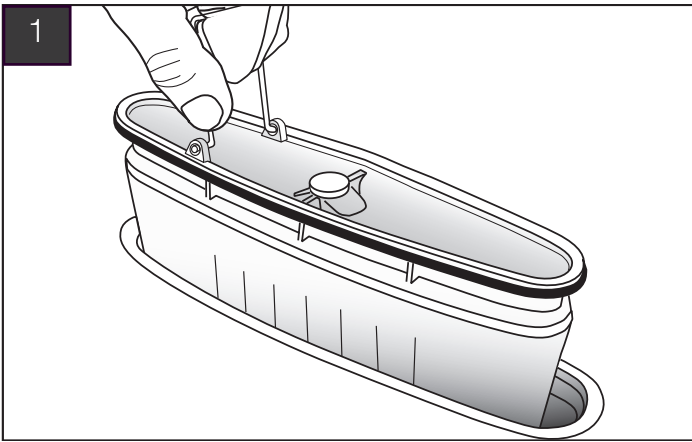


The drain sleeve that still covers the opening down in the drain is trimmed along the inner edge of the oval clamping ring using a sharp knife.

Check the trimming by dismantling/ mounting the drain trap insert.



# Cleaning and Maintenance



1. Lift out the water trap, shown by picture (1).
2. If necessary, Rinse the water trap under water see picture (2).
3. Replace the water trap.

Hold the water trap with the spring loaded body open whilst rinsed clean. Alternatively use a brush.

Make sure the gaskets are completely clean so the trap is watertight. Ensure when placed back that the gully is fully inserted so the gasket is watertight using two thumbs at each side.



**PURUS**

info@purus.se  
www.purus.se/gl