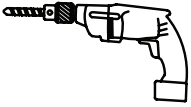
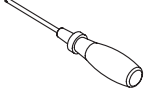
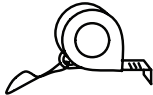
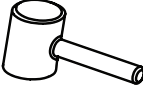



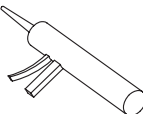







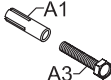


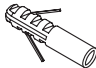
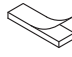

Installation Instructions

Notes: Please check the number of parts complete, please refer to the instructions to install the cabinet.

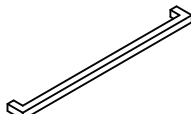
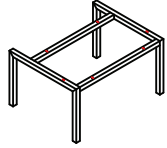
Installation tools (Not include)

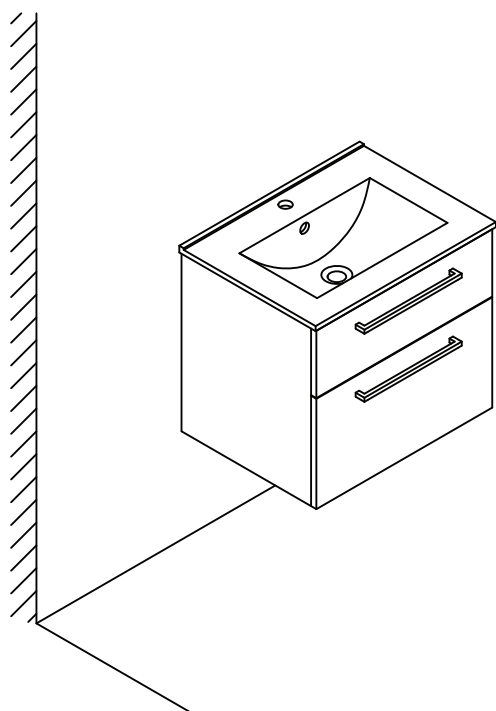
Name	Pic	Name	Pic	Name	Pic
Electric Drill		Cross Screwdriver		Tapeline	
Hammer		Pencil		Drill 10mm	
Wrench		Glass Cement		Drill 8mm	
				Drill 6mm	
Levelling Rod					

Sparements

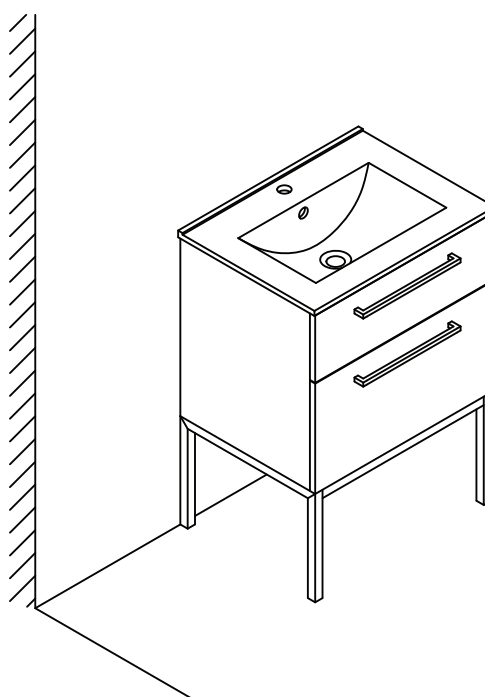
Name	Code	Pic	Qty	Name	Code	Pic	Qty	Name	Code	Pic	Qty
Iron expand screw M6	A		2	Self-tapping screw (∅6*60)	C		2	Self-tapping screw (∅4*30)	E		4
Plastic expand screw ∅10	B		2	Double faced adhesive tape(50mm)	D		4	thread bolt (M4X22)	F		4

Sparements (not include and can be choice color)

Name	Code	Pic	Qty	Name	Code	Pic	Qty
Handle	G		2	Metal shelves	H		1



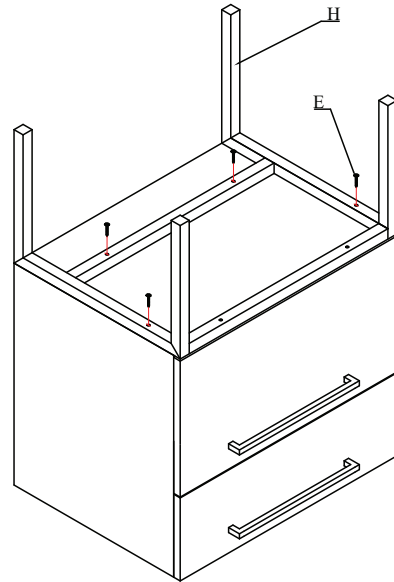
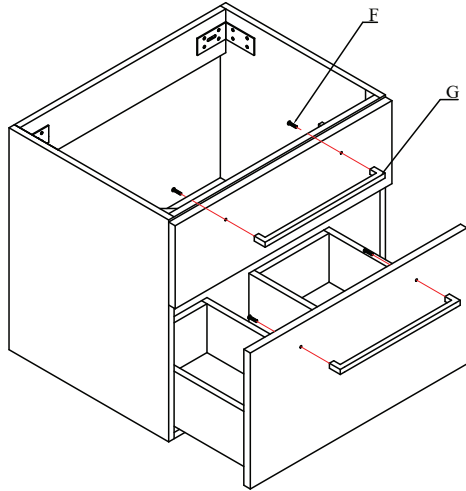
OR





Step 1

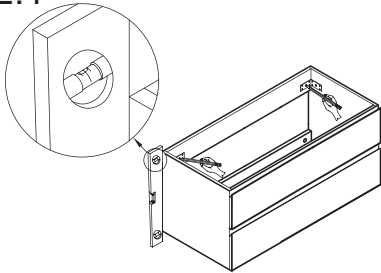
(install the handle, and then if you need metal shelves, install the metal shelves)



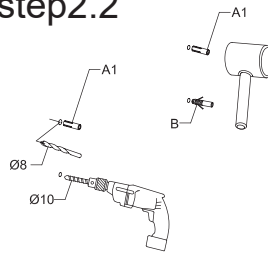
Step 2

(install the cabinet on the wall, if you have metal shelves, then adjust the leg)

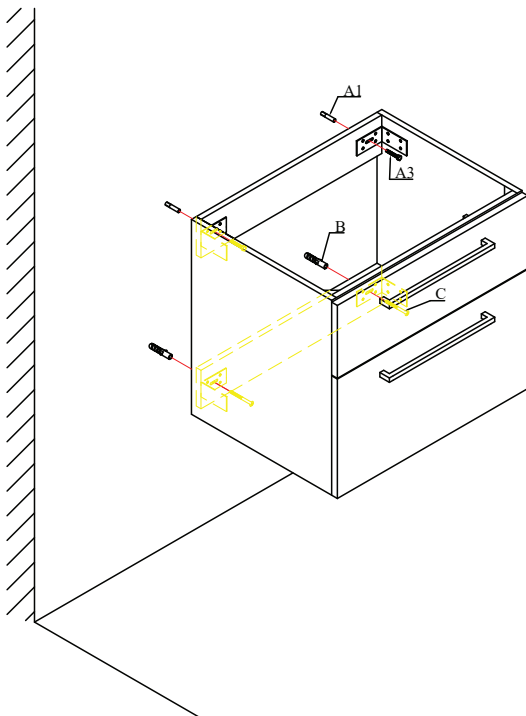
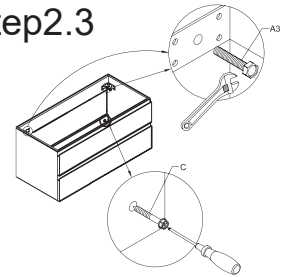
step2.1



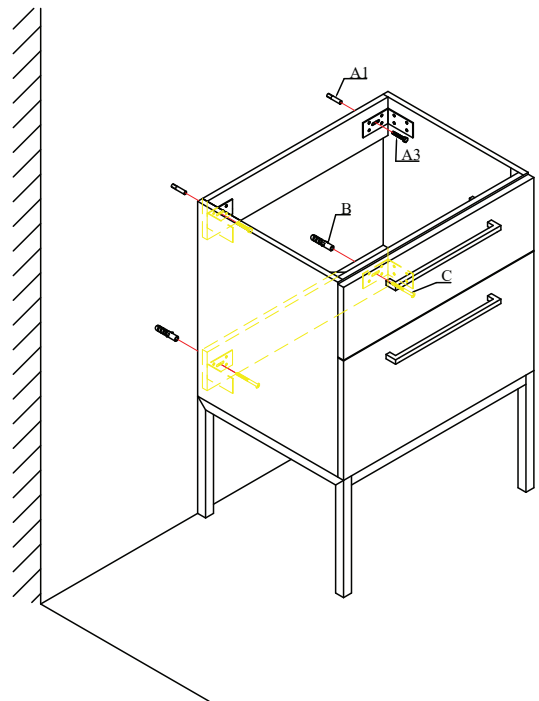
step2.2



step2.3



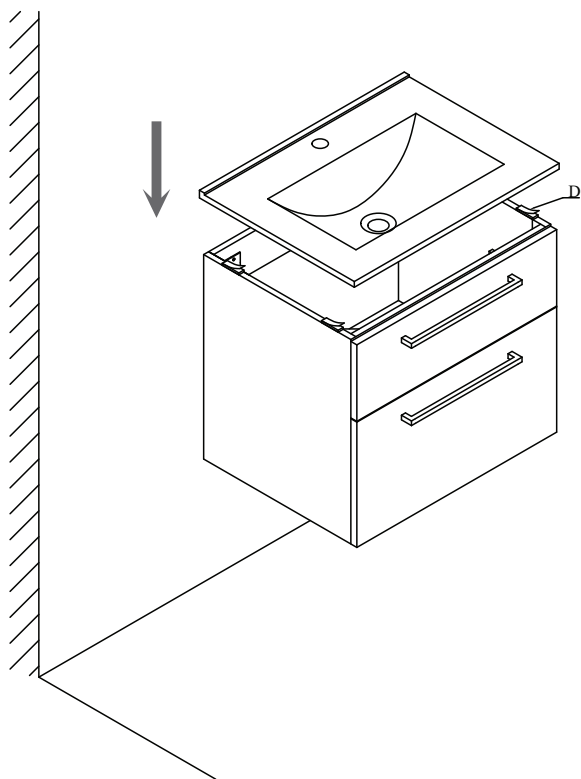
OR



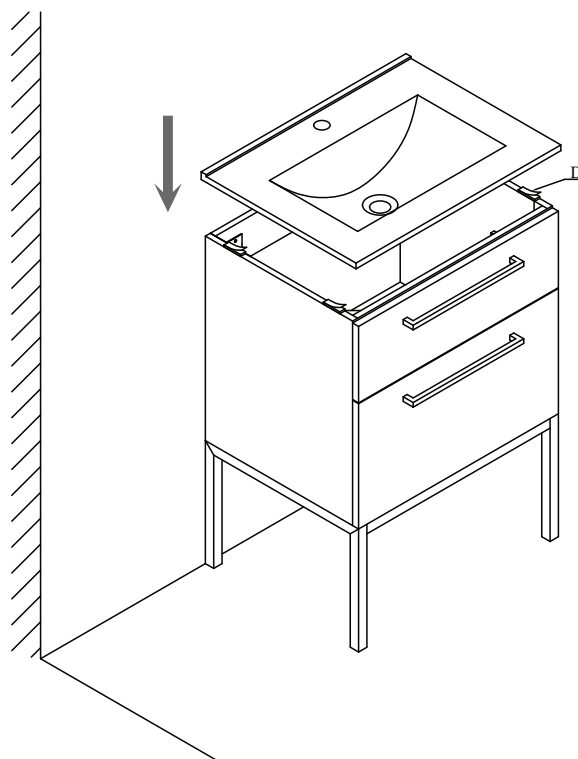


Step 3

(stick the double faced adhesive tap on the cabinet and install the basin)

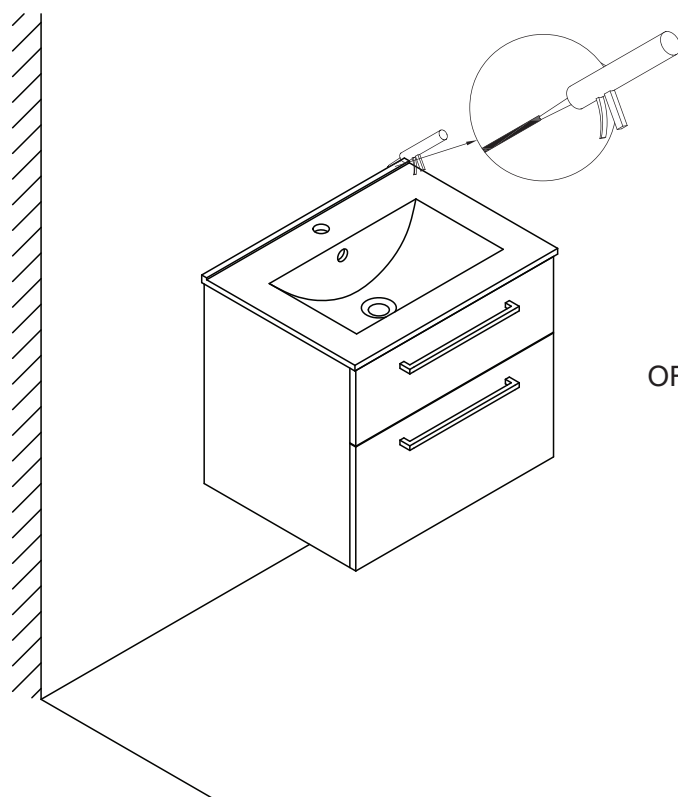


OR



Step 4

(stick the basin on the wall)



OR

